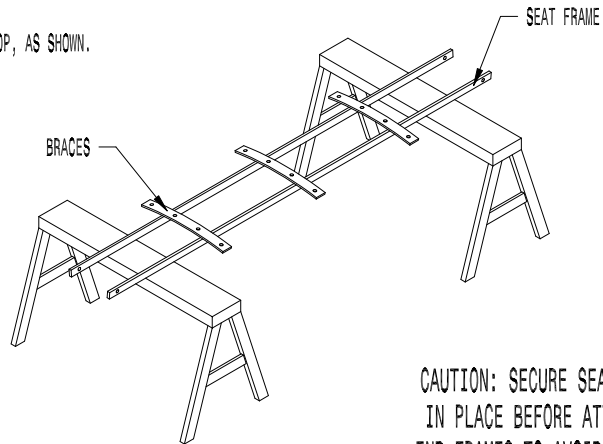


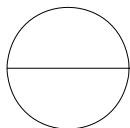
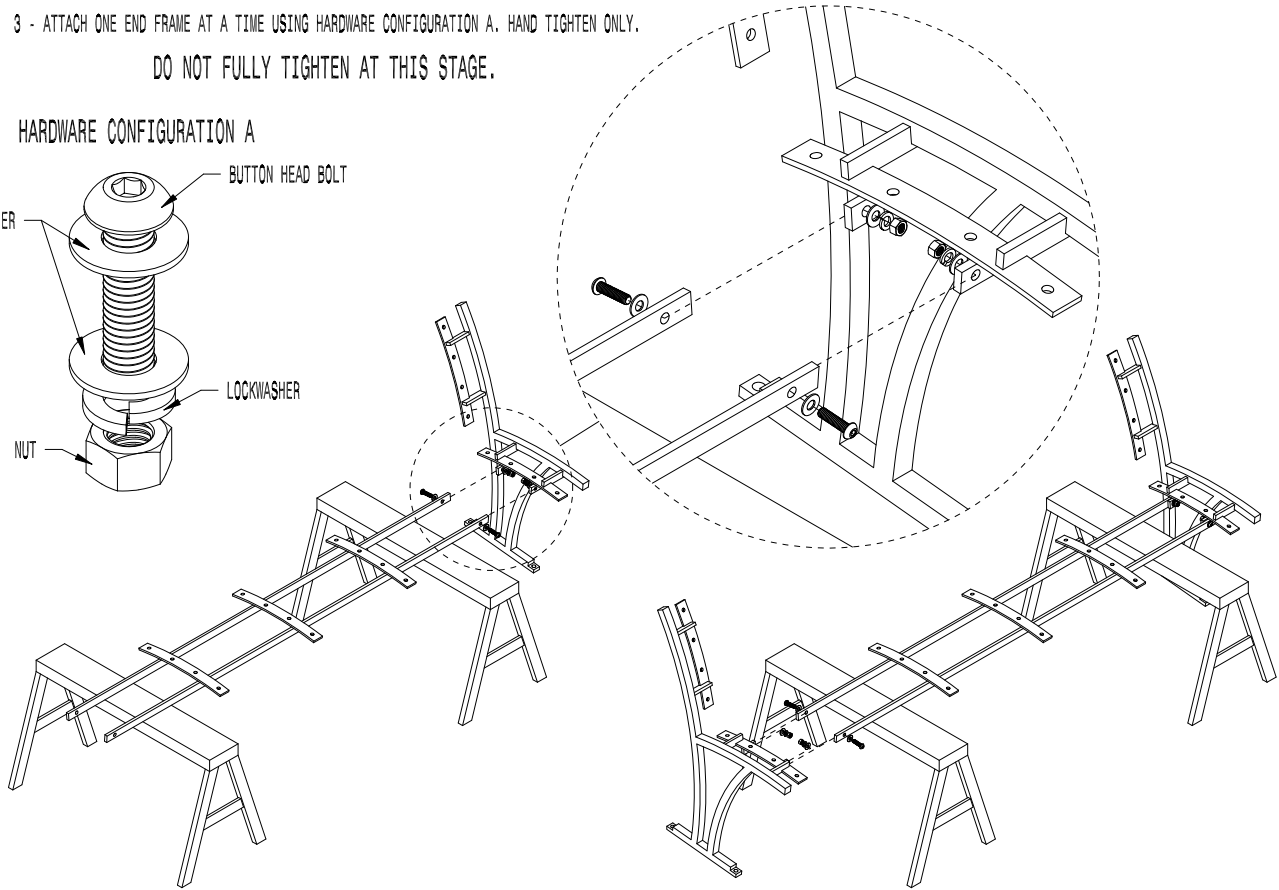
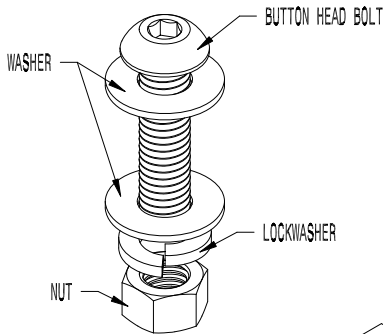
- 1 - REMOVE ALL PARTS FROM THEIR BOXES AND BAGS. PLACE ON TOWELS OR A SOFT SURFACE TO PREVENT SCRATCHING THE FINISH.
- 2 - LIFT THE SEAT FRAME AND REST IT ON A RAISED SOFT SURFACE WITH BRACES ON TOP, AS SHOWN.



CAUTION: SECURE SEAT FRAME IN PLACE BEFORE ATTACHING END FRAMES TO AVOID TIPPING OR FLIPPING THE ASSEMBLY.

- 3 - ATTACH ONE END FRAME AT A TIME USING HARDWARE CONFIGURATION A. HAND TIGHTEN ONLY. DO NOT FULLY TIGHTEN AT THIS STAGE.

HARDWARE CONFIGURATION A



FRESIA BACKED WOOD SLAT BENCHES

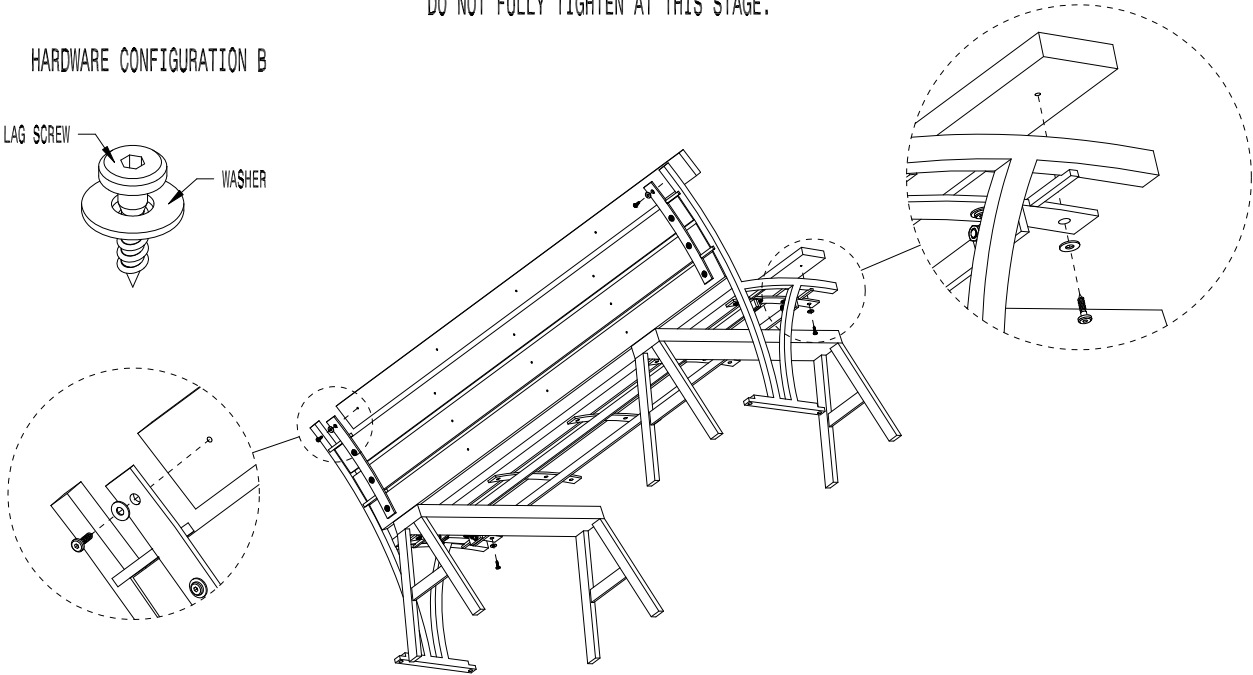
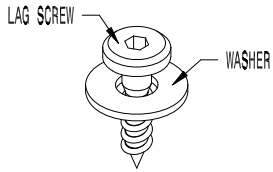
PERENNE

FRESIA BENCH
 SHOWN: GENERAL ASSEMBLY INSTRUCTIONS
 STANDARD 6-FOOT LENGTH

4 - ATTACH SLATS TO LEG FRAMES USING HARDWARE CONFIGURATION B. INSERT LAG SCREW FROM UNDERSIDE OF LEG BRACE AS SHOWN. BE SURE PRE-DRILLED PILOT HOLES FACE BRACES ON LEG FRAMES. HAND TIGHTEN SO SLATS ARE LOOSELY SECURED IN PLACE.

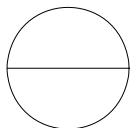
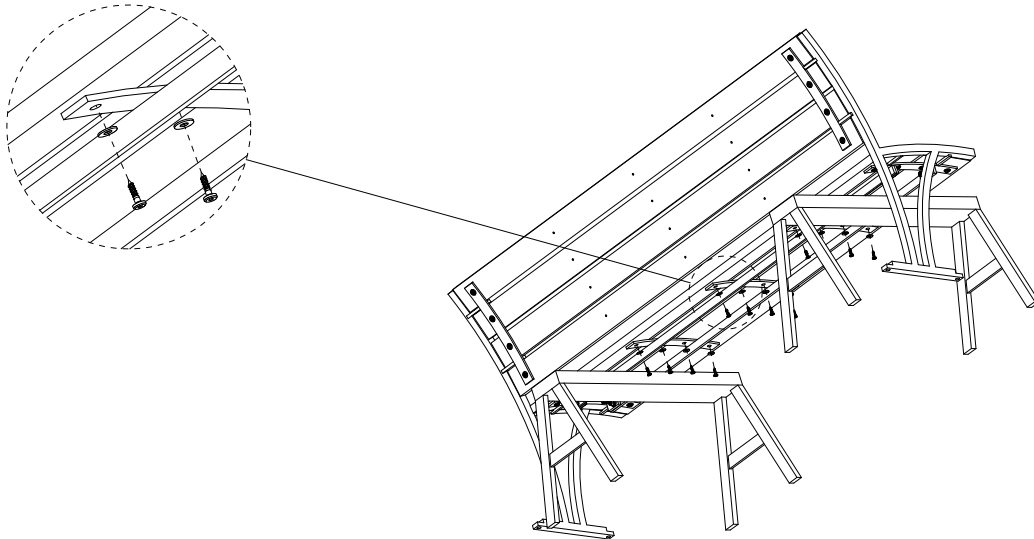
DO NOT FULLY TIGHTEN AT THIS STAGE.

HARDWARE CONFIGURATION B



5 - ATTACH SEAT SLATS TO SEAT FRAME USING HARDWARE CONFIGURATION B. HAND TIGHTEN SO SLATS ARE LOOSELY SECURED IN PLACE.

DO NOT FULLY TIGHTEN AT THIS STAGE.



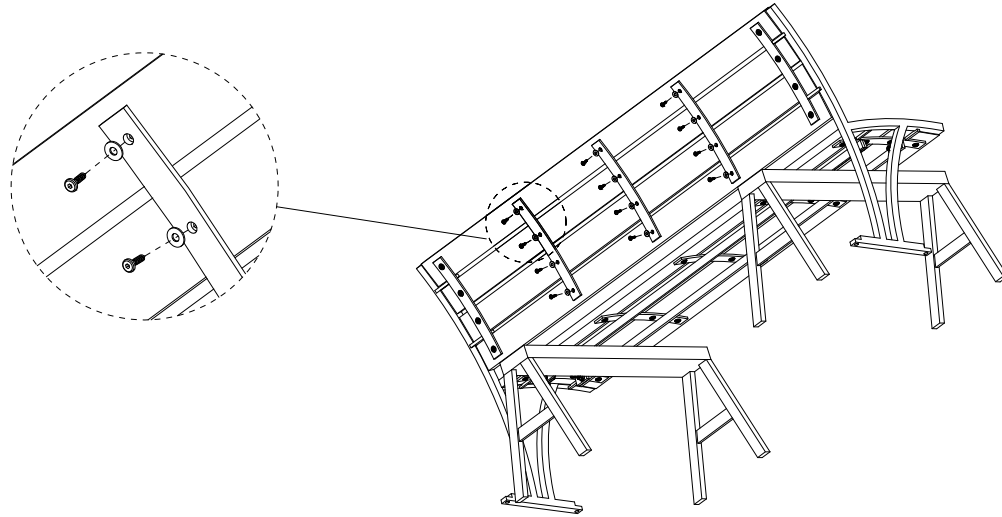
FREESIA BACKED WOOD SLAT BENCHES

PERENNE

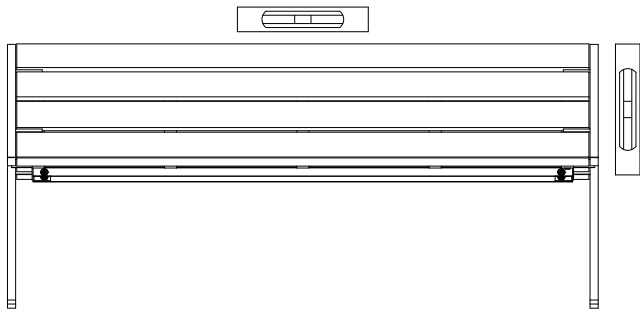
FREESIA BENCH
 SHOWN: GENERAL ASSEMBLY INSTRUCTIONS
 STANDARD 6-FOOT LENGTH

- 6 - ALIGN BRACES WITH PRE-DRILLED PILOT HOLES ON SLATS FORMING THE BACK OF BENCH. ATTACH USING HARDWARE CONFIGURATION B. HAND TIGHTEN SO SLATS ARE LOOSELY SECURED IN PLACE.

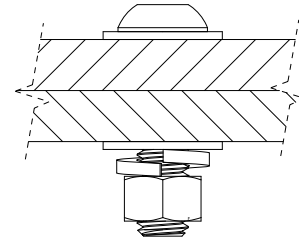
DO NOT FULLY TIGHTEN AT THIS STAGE.



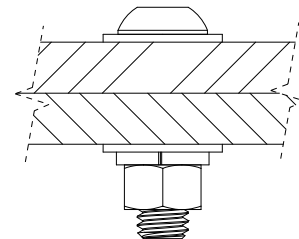
- 7 - REMOVE BENCH FROM RAISED SURFACE AND SET BENCH IN DESIRED LOCATION. TO PROTECT FINISH, BE SURE TO NOT DRAG BOTTOM OF SEAT SECTION ON RAISED SURFACE OR FEET ON GROUND.
- 8- USE LEVEL TO CHECK ALIGNMENT OF BENCH. ONCE EVERYTHING IS PROPERLY SPACED AND ALIGNED, TOOL TIGHTEN FRAME HARDWARE UNTIL LOCK WASHERS COMPRESS. USE THE PROVIDED HEX DRIVE BIT TO HAND TOOL TIGHTEN LAG SCREWS. DO NOT OVER TIGHTEN SLAT HARDWARE.



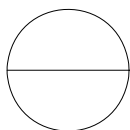
BOLT & FASTENER
BEFORE TOOL TIGHTENING



BOLT & FASTENER
AFTER TOOL TIGHTENING



DO NOT OVER TIGHTEN.



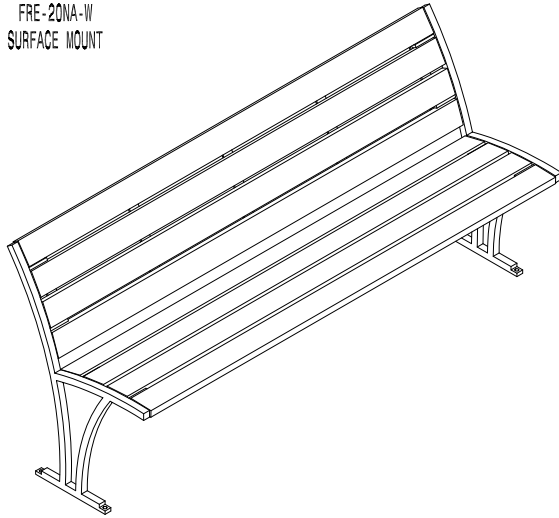
FRESIA BACKED WOOD SLAT BENCHES

PERENNE

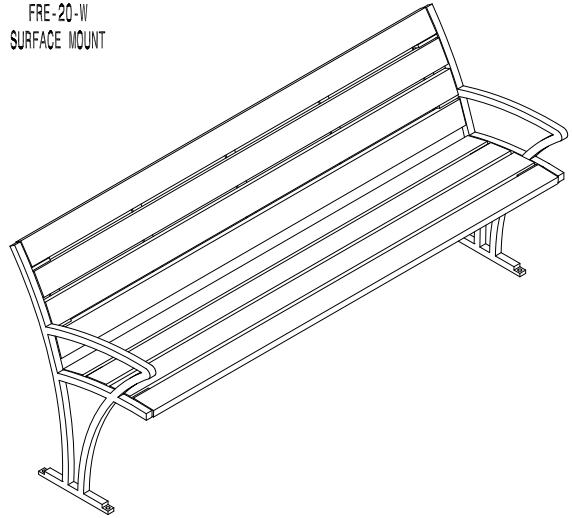
FRESIA BENCH
 SHOWN: GENERAL ASSEMBLY INSTRUCTIONS
 STANDARD 6-FOOT LENGTH

FINAL PRODUCT

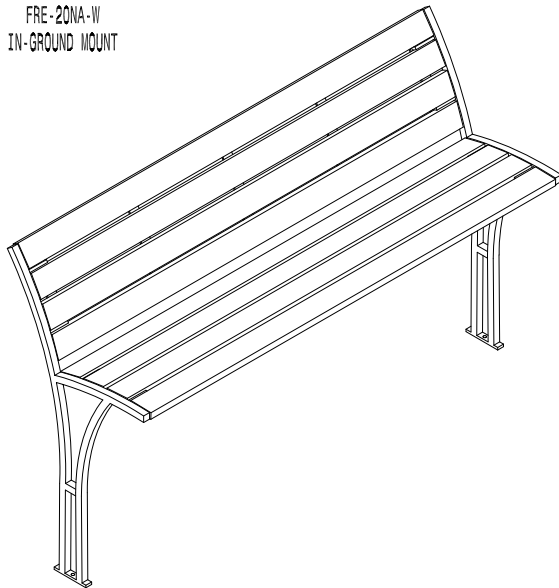
FRE-20NA-W
 SURFACE MOUNT



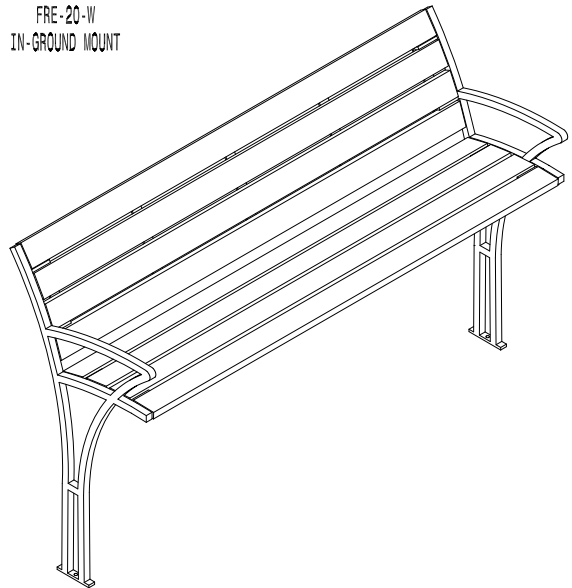
FRE-20-W
 SURFACE MOUNT



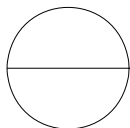
FRE-20NA-W
 IN-GROUND MOUNT



FRE-20-W
 IN-GROUND MOUNT



GENERAL ASSEMBLY INSTRUCTIONS CAN BE USED FOR ALTERNATE LENGTHS. BRACE AND HARDWARE COUNT MAY VARY BASED ON LENGTH.



FREESIA BACKED WOOD SLAT BENCHES

PERENNE

FREESIA BENCH
 SHOWN: GENERAL ASSEMBLY INSTRUCTIONS
 STANDARD 6-FOOT LENGTH