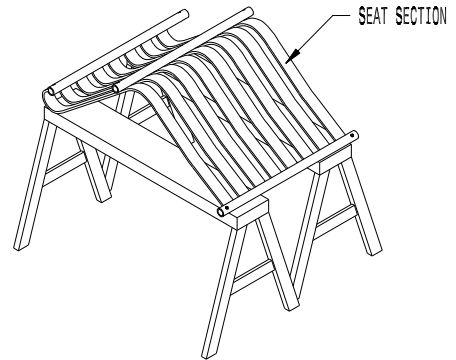
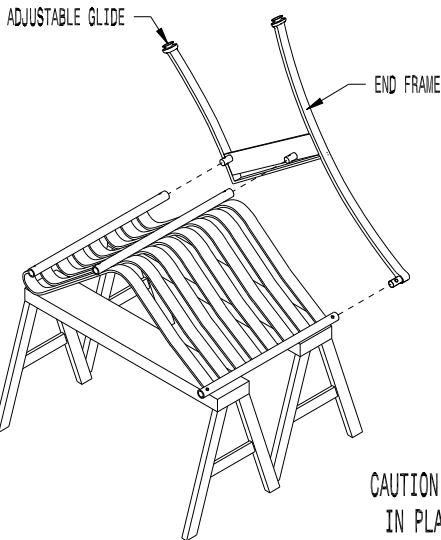


* ALL DIMENSIONS ARE IN INCHES *

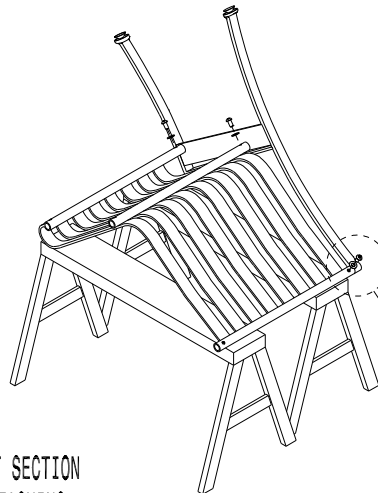
- 1 - REMOVE ALL PARTS FROM THEIR BOXES AND BAGS. PLACE ON TOWELS OR A SOFT SURFACE TO PREVENT SCRATCHING.
- 2 - LIFT THE SEAT SECTION AND REST IT ON A RAISED SOFT SURFACE WITH SEAT ORIENTED AS SHOWN.



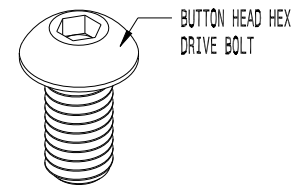
- 3 - ATTACH ONE END FRAME AT A TIME. ONCE END FRAME IS IN PLACE LOOSELY SECURE USING THE PROVIDED HARDWARE IN THE CONFIGURATION SHOWN. HAND TIGHTEN ONLY.



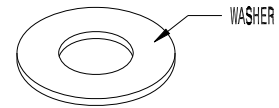
DO NOT FULLY TIGHTEN



HARDWARE CONFIGURATION

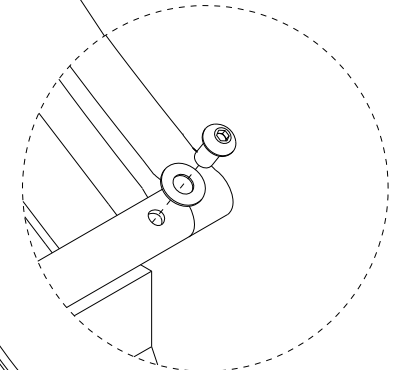
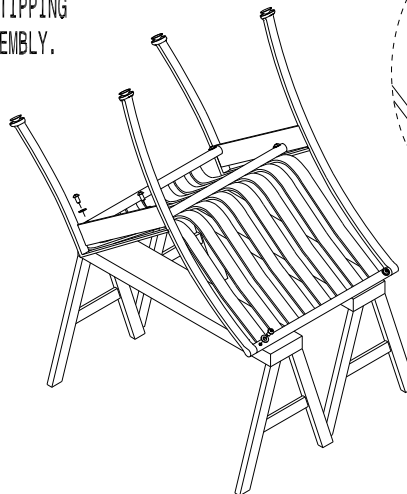
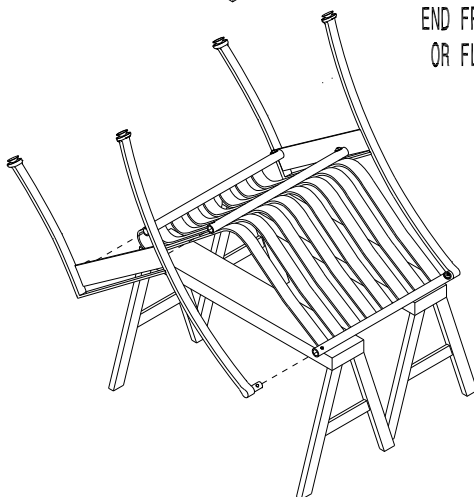


BUTTON HEAD HEX DRIVE BOLT



WASHER

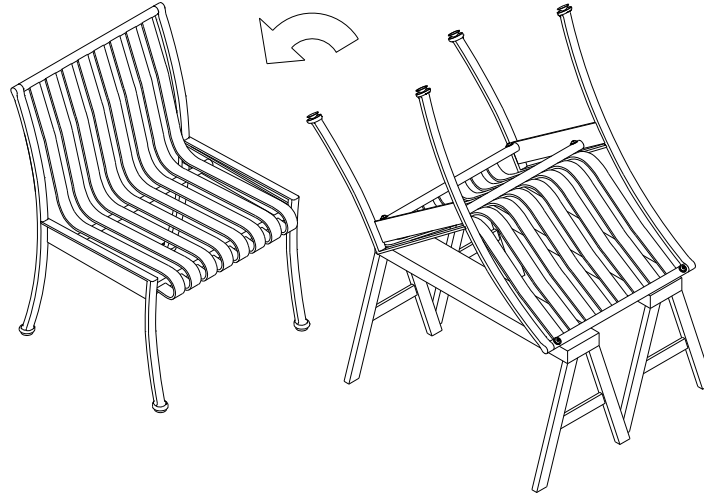
CAUTION: SECURE SEAT SECTION IN PLACE BEFORE ATTACHING END FRAMES TO AVOID TIPPING OR FLIPPING THE ASSEMBLY.



CAFE CHAIRS
 PRODUCTION

ALL STEEL CAFE CHAIR
 SHOWN: GENERAL ASSEMBLY INSTRUCTIONS

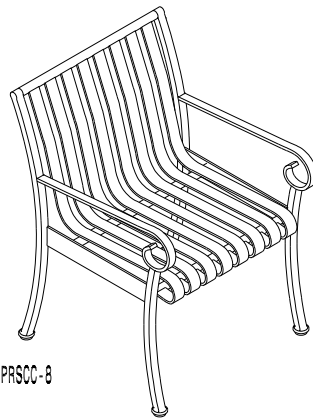
- 4 - ONCE BOTH ENDFRAMES ARE ATTACHED TO THE SEAT SECTION, GENTLY RAISE AND FLIP SEAT. SET IN DESIRED LOCATION. TO PROTECT THE FINISH, BE SURE TO NOT DRAG THE BOTTOM OF THE SEAT SECTION ON THE RAISED SURFACE OR THE FEET ON THE GROUND.



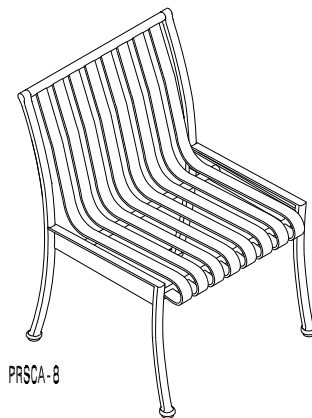
- 5 - INSPECT SEAT FROM FRONT TO BACK TO ENSURE SEAT IS SITTING STRAIGHT. ONCE EVERYTHING IS STRAIGHT AND PROPERLY ALIGNED, TOOL TIGHTEN ALL HARDWARE. USE ADJUSTABLE GLIDES TO LEVEL.

DO NOT OVER TIGHTEN.

FINAL PRODUCT



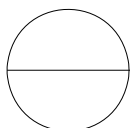
PRS0C-8



PRS0A-8

NOTES:

1. DRAWINGS NOT TO SCALE. DO NOT SCALE DRAWINGS.
2. ALL FABRICATED METAL COMPONENTS ARE STEEL SHOTBLASTED, ETCHED, PHOSPHATIZED, PREHEATED, AND ELECTROSTATICALLY POWDER-COATED WITH T.G.I.C. POLYESTER POWDER COATINGS. PRODUCTS ARE FULLY CLEANED AND PRETREATED, PREHEATED AND COATED WHILE HOT TO FILL CREVICES AND BUILD COATING FILM. COATED PARTS ARE THEN FULLY CURED TO COATING MANUFACTURER'S SPECIFICATIONS. THE THICKNESS OF THE RESULTING FINISH AVERAGES 8-10 MILS (200-250 MICRONS).
3. FOR HIGH SALT ABUSIVE CLIMATES, HOT-DIP GALVANIZING BEFORE POWDER COATING IS AVAILABLE. HOT-DIP GALVANIZING IS PERFORMED FOR VICTOR STANLEY, INC. BY AN EXPERIENCED QUALIFIED FIRM TO WHICH PRODUCTS ARE SHIPPED FOR GALVANIZING. HOT-DIP GALVANIZING INCLUDES AN AGGRESSIVE PRE-TREATMENT AND IMMERSION IN A TANK OF CHARGED LIQUID ZINC AT OR AROUND 860°F (460°C). THE RESULTING SURFACE IS RESISTANT TO RUST BUT HAS SOME UNEVENNESS RESULTING FROM THE BONDING OF THE ZINC TO THE STEEL SURFACE. AS A RESULT, THE POWDER-COATING SURFACE FINISH OVER THAT GALVANIZED SURFACE MAY EXHIBIT BUMPS, UNEVENNESS, AND MAY NOT BE AS SMOOTH AS THE STANDARD FINISH; THIS UNEVEN AND INCONSISTENT FINISH IS NORMAL FOR GALVANIZING. CONTACT MANUFACTURER FOR DETAILS.
4. ALL SPECIFICATIONS ARE SUBJECT TO CHANGE. CONTACT MANUFACTURER FOR DETAILS.
5. THIS PRODUCT IS SHIPPED PARTIALLY UNASSEMBLED.



CAFE CHAIRS

PRODUCTION

ALL STEEL CAFE CHAIR
 SHOWN: GENERAL ASSEMBLY INSTRUCTIONS