



NRMT-# STEELSITES™ SERIES ASSEMBLY INSTRUCTIONS

Ref# 2007-606, revised 10-15-07 by MCW

READ ALL INSTRUCTIONS THOROUGHLY
BEFORE YOU BEGIN.

CHECK ALL PARTS

- Be certain there are no missing parts.
- Be certain all required tools are available.

REQUIRED TOOLS

- Ratchet or Breaker Bar.
- Socket 1/2-inch AND Wrench 1/2-inch
- Towels (or something soft) to rest components on during assembly to protect the finish

ASSISTANCE REQUIRED

- 3+ people recommended to assemble product.
- Necessary to handle, fit, and secure components.
- Heavy lifting.

All specifications are subject to change. Contact manufacturer for details.
Directions do not include center armrest attachment.

DELIVERY, STORAGE, and HANDLING

- Delivery: Deliver products to site in manufacturer's original, unopened containers and packaging. Upon delivery, examine packages immediately to ensure all products are complete and undamaged.
- Storage: Store products in a protected, dry area in manufacturer's unopened containers and packaging
- Handling: Protect product's finish from damage during handling and installation.

INSTALLATION

- Clearance for 3/8-inch (9.53mm) anchor bolts (anchor bolts not provided by Victor Stanley, Inc.)
- Mounting: It is not recommended to locate anchor bolts until bench is in place. This Victor Stanley, Inc. product must be permanently affixed to the ground. Consult your local codes for regulations.

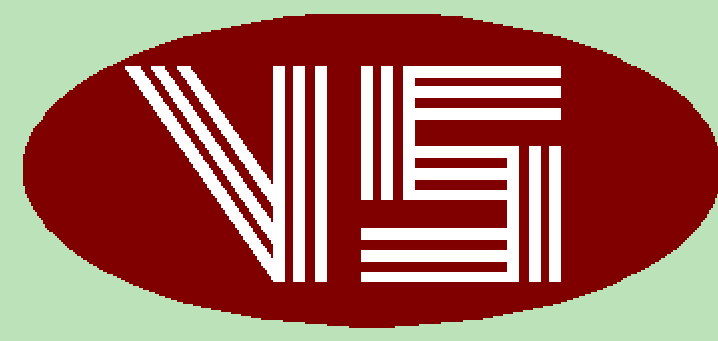
PROTECTION

- Protect products prior to installation by having the remain in The manufacturer's packaging and container.

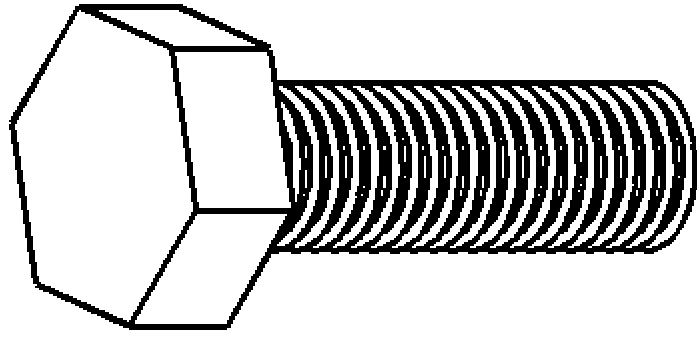

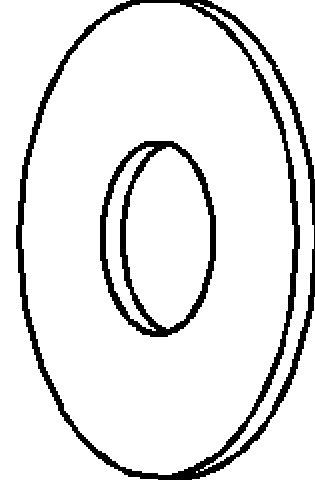
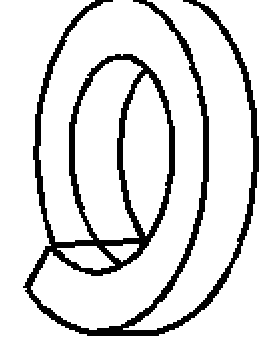
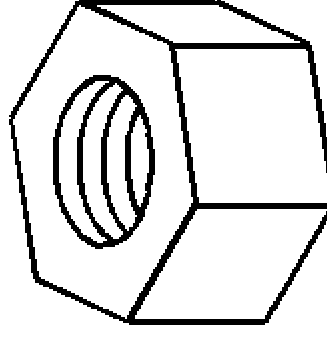
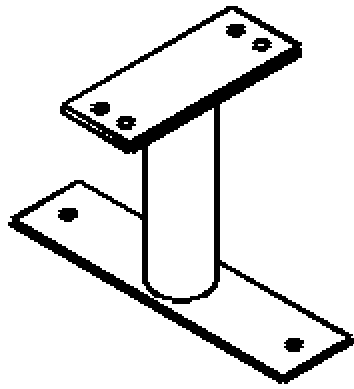
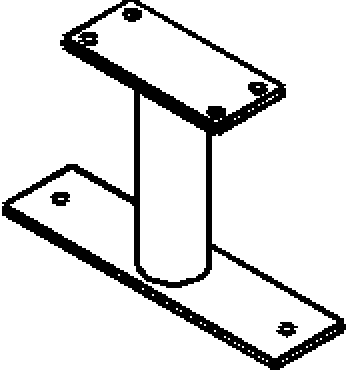
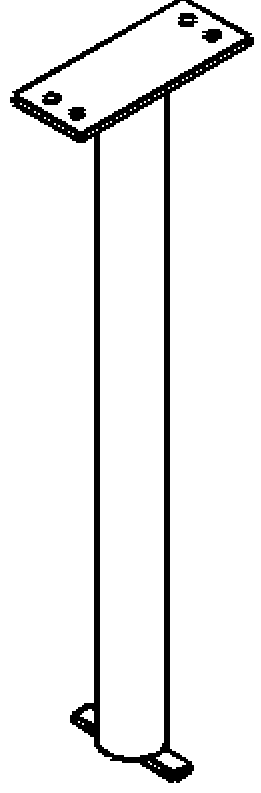
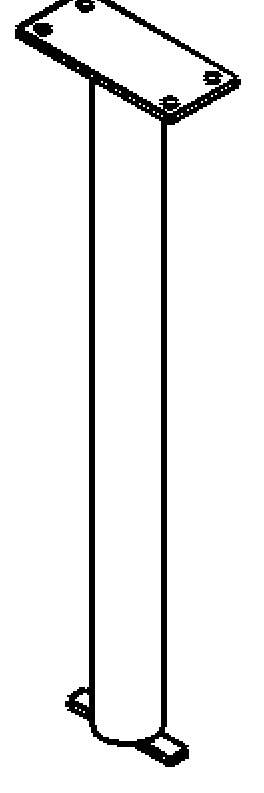
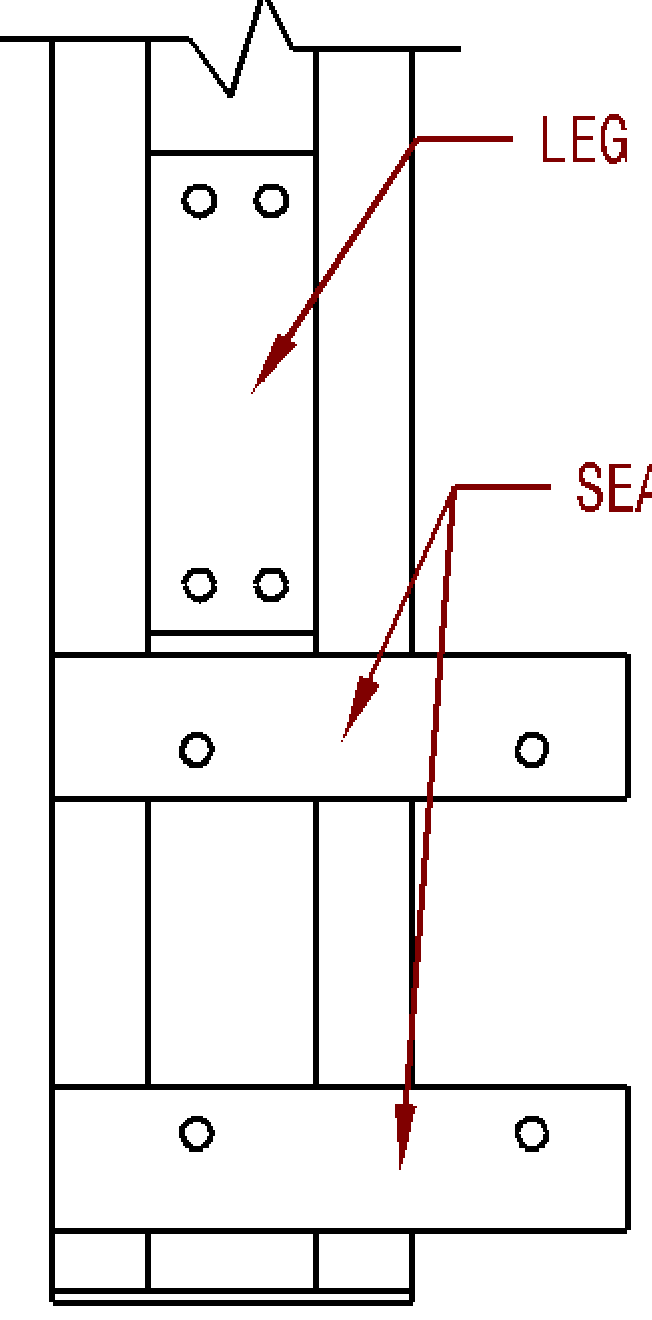
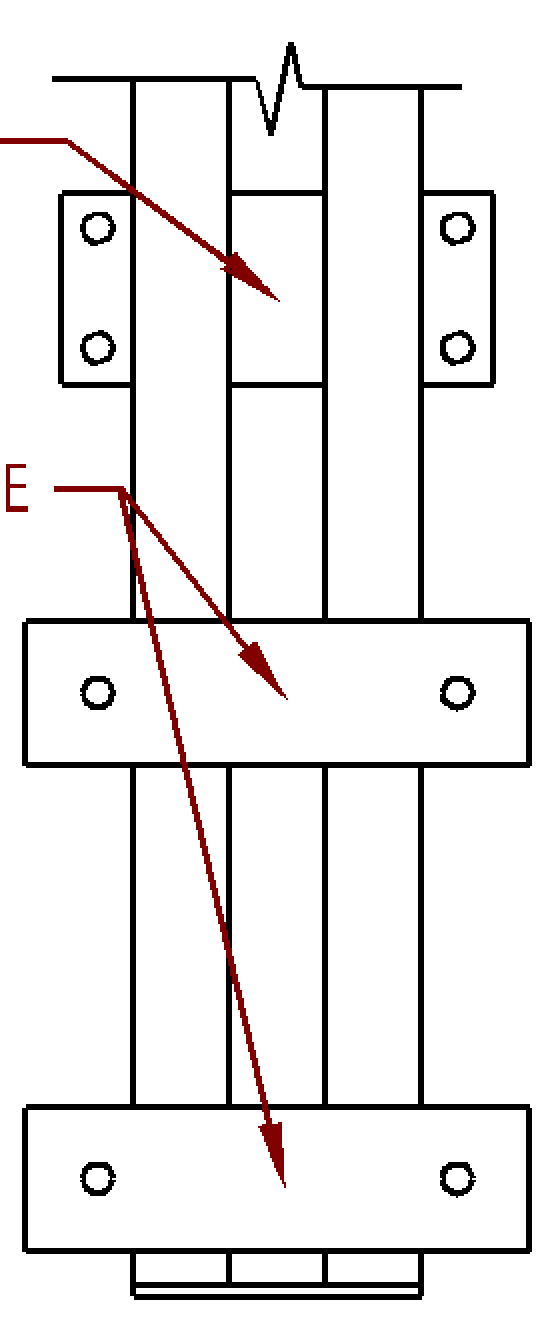
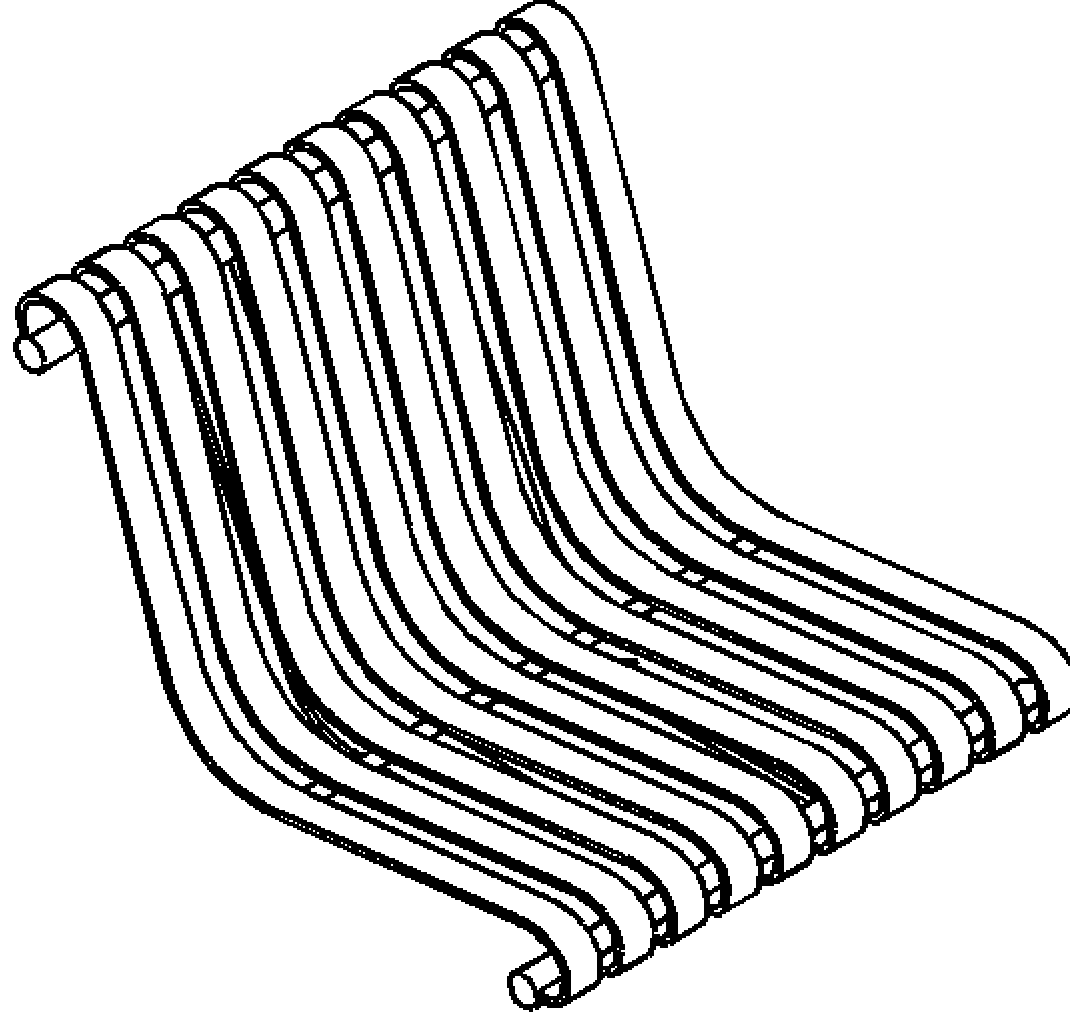
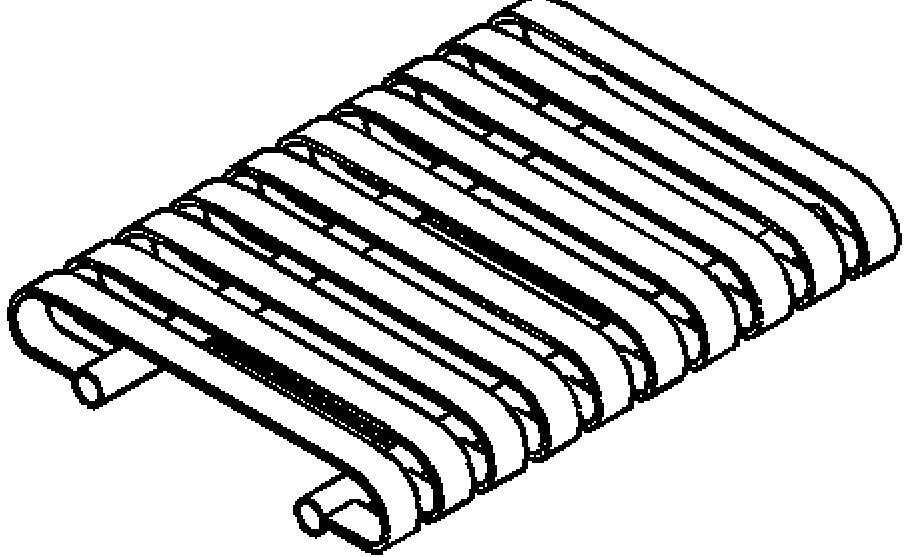


Should you have any problems, please contact Victor Stanley, Inc.

www.victorstanley.com



PARTS LIST

<p>A 3/4-inch HEX HEAD BOLT 4 per SEAT 4 per LEG</p>   	<p>C 7/8-inch LOCK WASHER 4 per SEAT 4 per LEG</p> 	<p>D 3/4-inch HEX NUT 4 per SEAT 4 per LEG</p> 
<p>B 5/8-inch WASHER 8 per SEAT 8 per LEG</p>		
<p>E LEGS 2 UNLESS OTHERWISE SPECIFIED</p>   <p>SURFACE NRMS SURFACE FRMS</p>   <p>IN-GROUND NRMS IN-GROUND FRMS</p>	<p>F CHANNEL 1 UNLESS OTHERWISE SPECIFIED AVAILABLE CURVED</p>   <p>LEG BRACE SEAT BRACE</p> <p>BACK - FRONT REVERSABLE</p> <p>NRMS CHANNEL BRACE POSITION VARIES FRMS CHANNEL BRACE POSITION VARIES</p>	<p>G SEATS NUMBER OF SEATS AS SPECIFIED</p>  <p>NRMS SEAT AVAILABLE IN 19" OR 24"</p>  <p>FRMS SEAT AVAILABLE IN 19" OR 24"</p>

TOOLS REQUIRED (NOT PROVIDED)

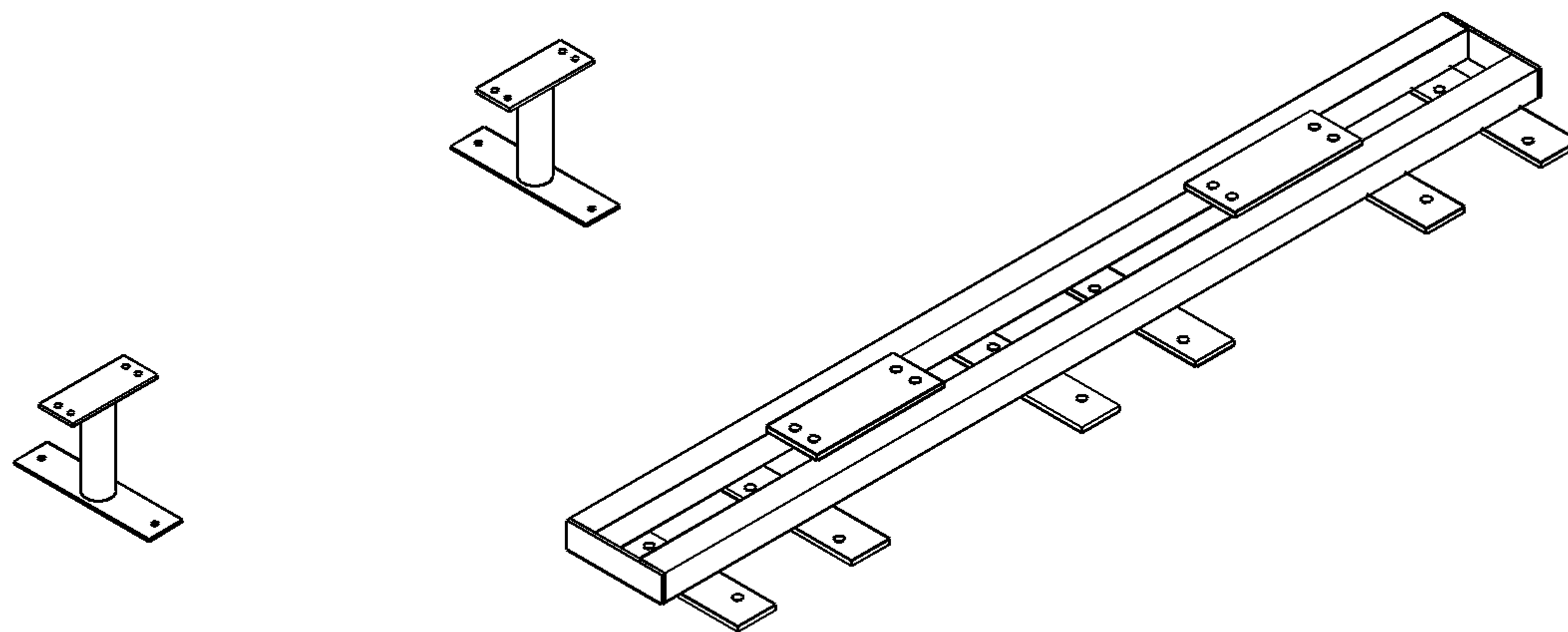
 <p>1/2-inch SOCKET for use with RATCHET or BREAKER BAR AND 1/2-inch WRENCH *This symbolizes when to use TOOL to tighten.</p>	 <p>TOWELS (or something soft to protect finish)</p>	 <p>HANDS *This symbolizes when to use HAND to tighten.</p>
--	--	--



ATTENTION: ALL IMAGES ARE OF NRMT'S CONFIGURED FOR NRMS SEATS
THE STEPS REMAIN THE SAME FOR FRMS SEATS

STEP #1 Remove all parts from their boxes and bags, and place on towels or a soft surface to prevent scratching (towels, cardboard, grass, ect.)

STEP #2 For surface mount, set the legs up right in the general area that you would like your NRMT. For in-ground mount place the channel on a soft surface with the leg mounting plates facing upwards. Have this about the length of the leg away from the area that you would like your NRMT.

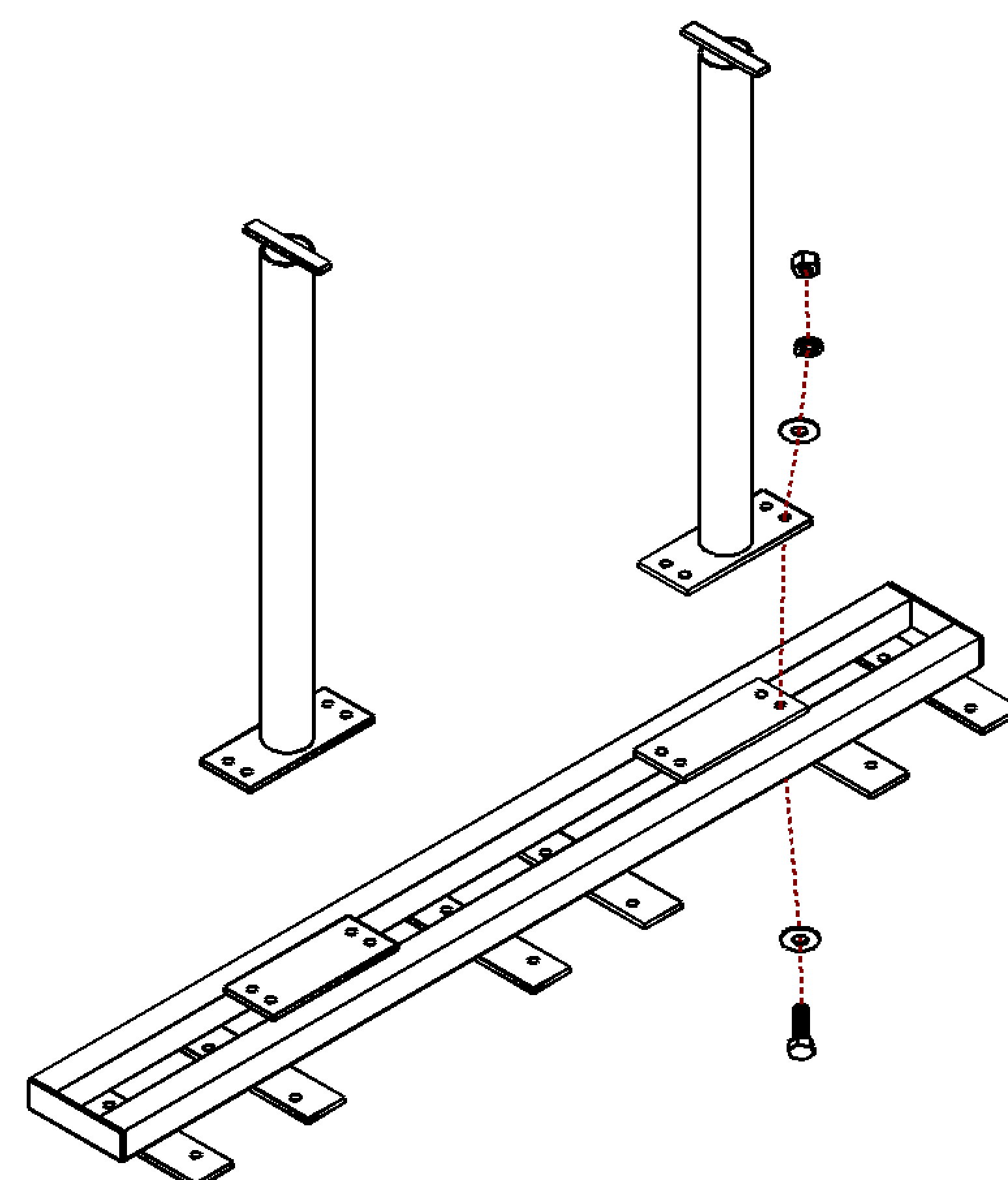
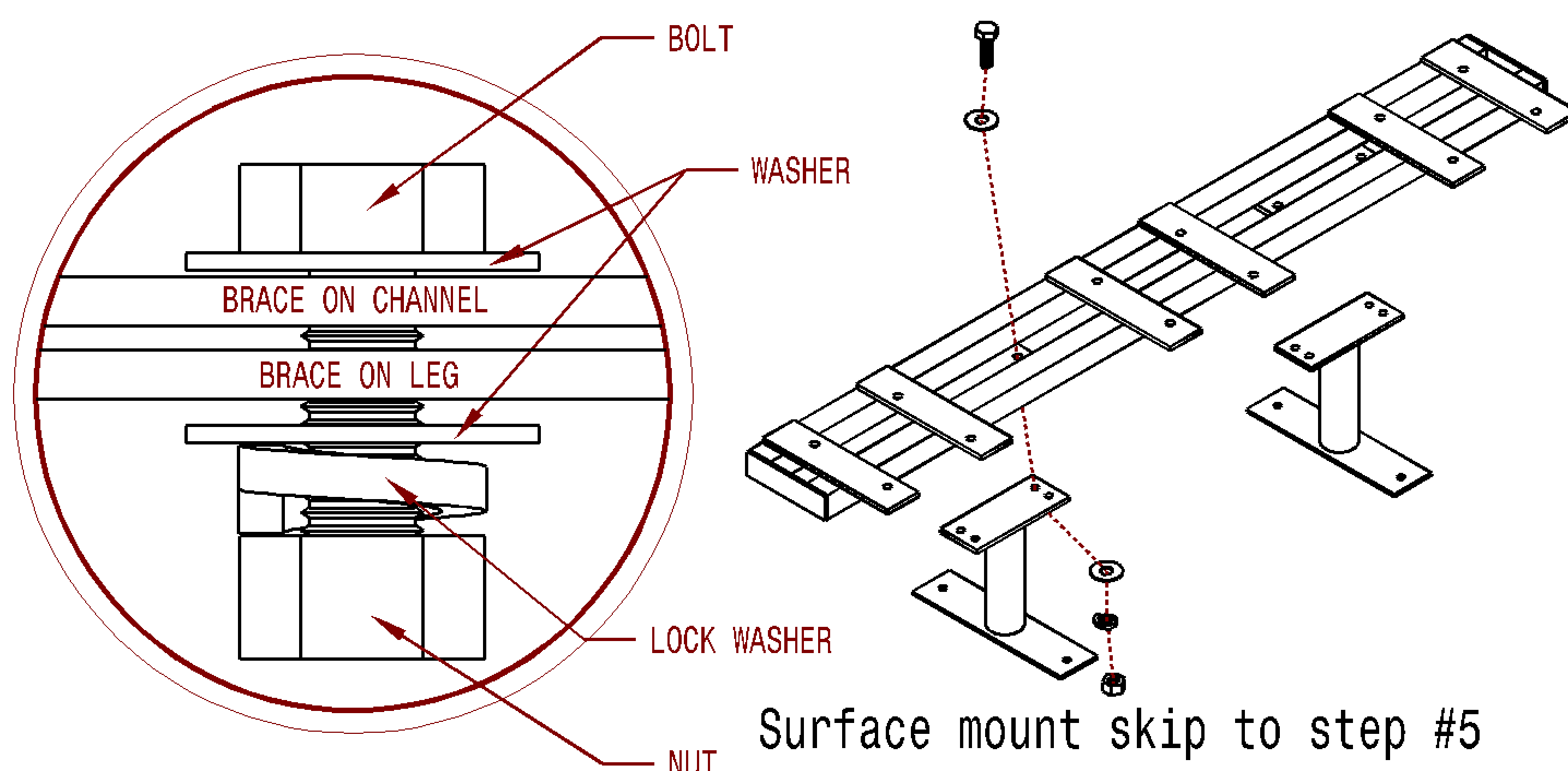


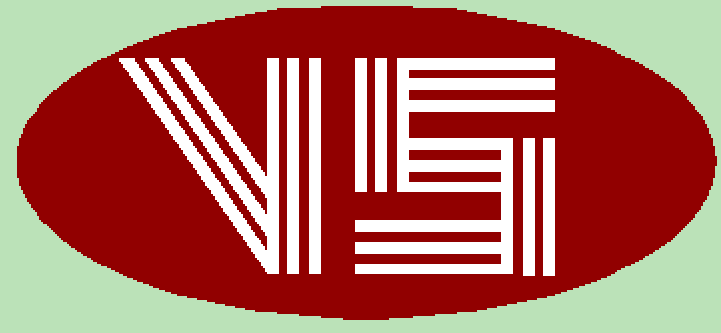
STEP #3 For surface mount, set the channel on the legs. Attach one leg. Have one person lift the channel slightly on the side that the leg is not yet attached, and have another person position the second leg for mounting (if more legs are specified, continue this process one leg at a time). For in-ground mount, attach all the legs so they are pointing straight up in the air.



HAND TIGHTEN

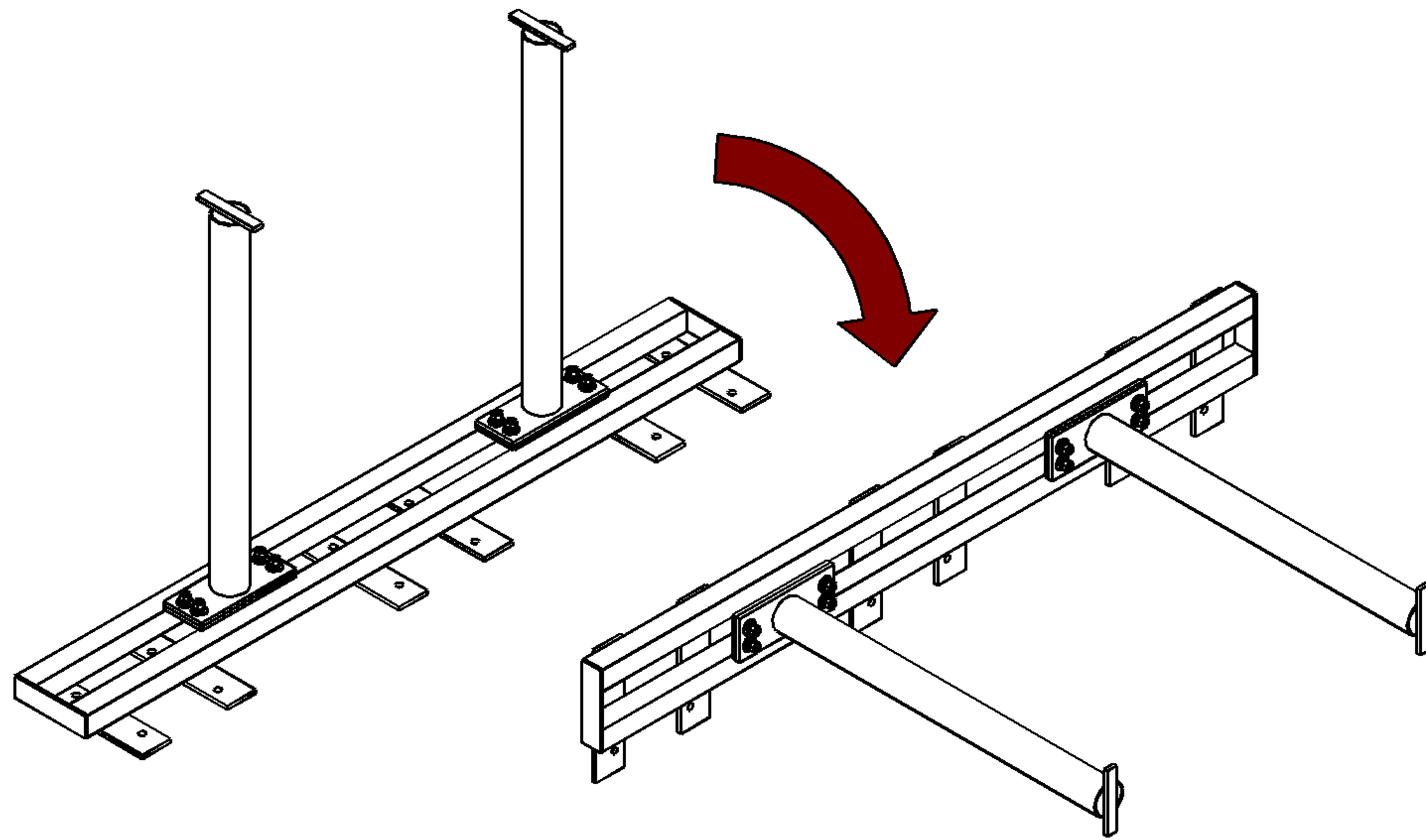
For step #3
use Bolt
Assembly
as shown:





STEP #4

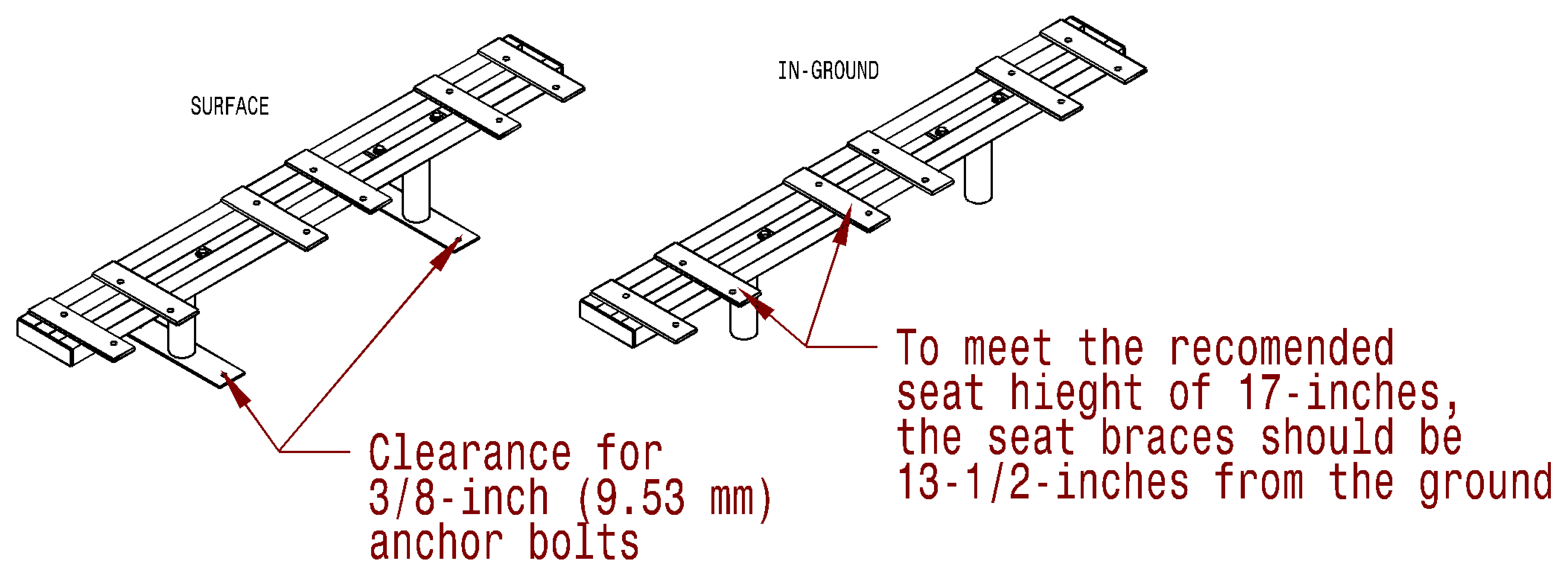
For in-ground mount, have two people lift the channel with the attached legs. Have a third person aid in turning the assembly so the legs are now parallel to the ground. Set the assembly back down, make sure the channel is set back on the soft surface to protect the finish. Use the legs as a guide for where to place your footings.



STEP #5

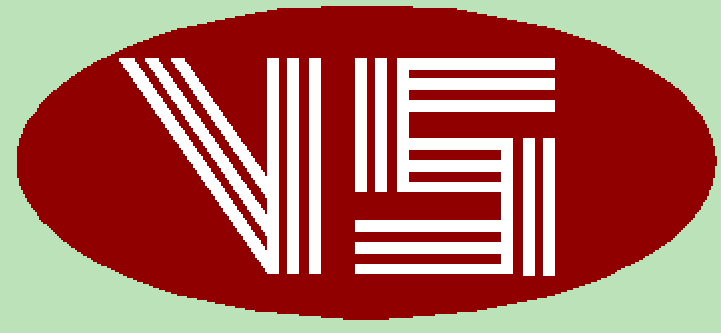
Check and review location and positioning. Make any adjustments to placement/location now. For surface mount, Remove assembly and place anchor bolts in position. For in-ground mount, Remove assembly and prepare footings in position.

At this point mount your assembly in/to the ground. This Victor Stanley, Inc. product must be permanently affixed to the ground. Consult your local codes for regulations.



Anchor bolts not provided by Victor Stanley, Inc.

CENTER-TO-CENTER DISTANCES CAN VARY DO TO WELDING. IT IS NOT RECOMMENDED TO LOCATE FOOTINGS OR ANCHOR BOLTS UNTIL PRODUCT IS IN PLACE.



ATTENTION: ALL IMAGES ARE OF SURFACE MOUNT NRMT'S CONFIGURED FOR NRMS SEATS THE STEPS REMAIN THE SAME FOR ALL CONFUGURATIONS

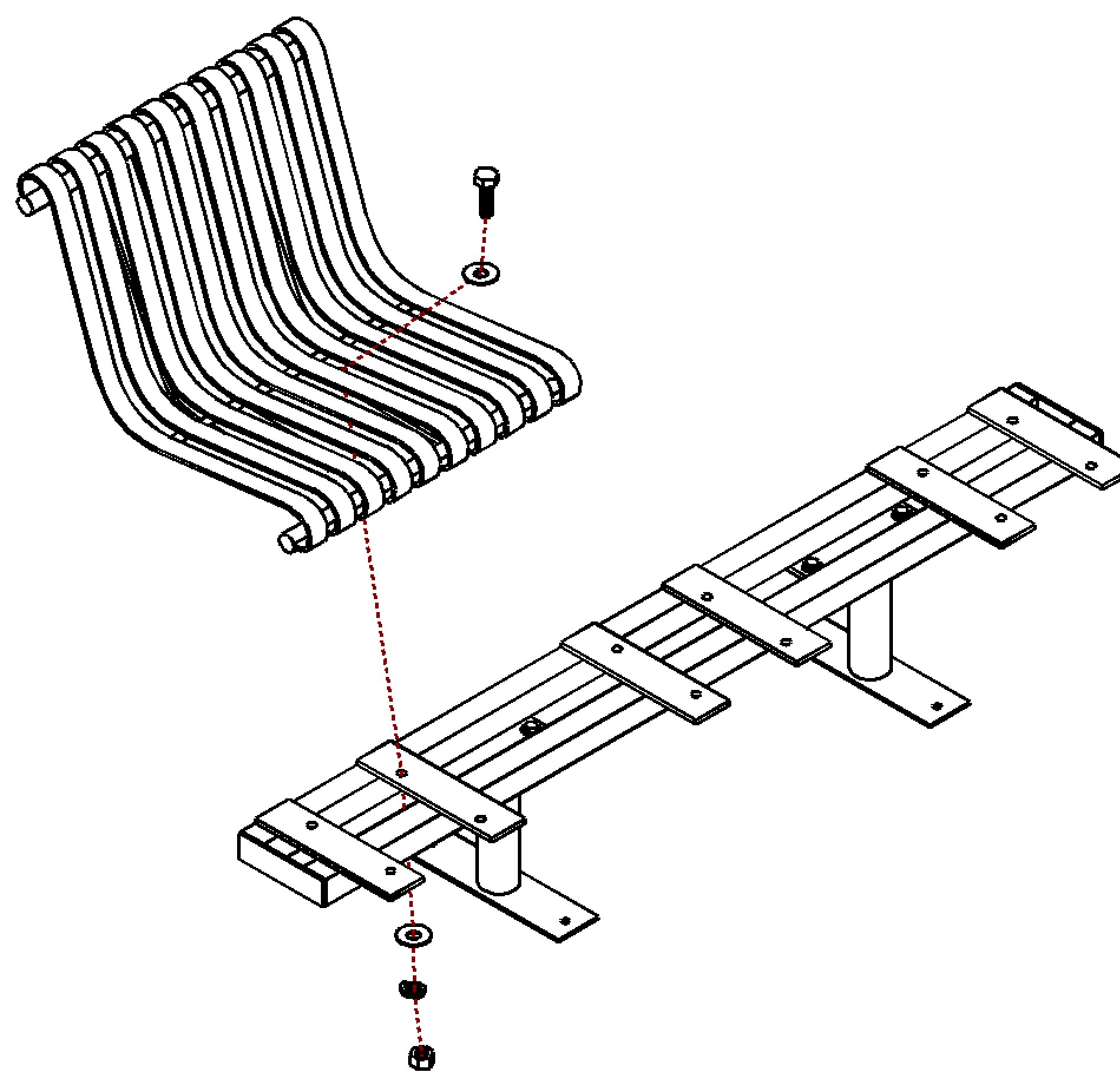
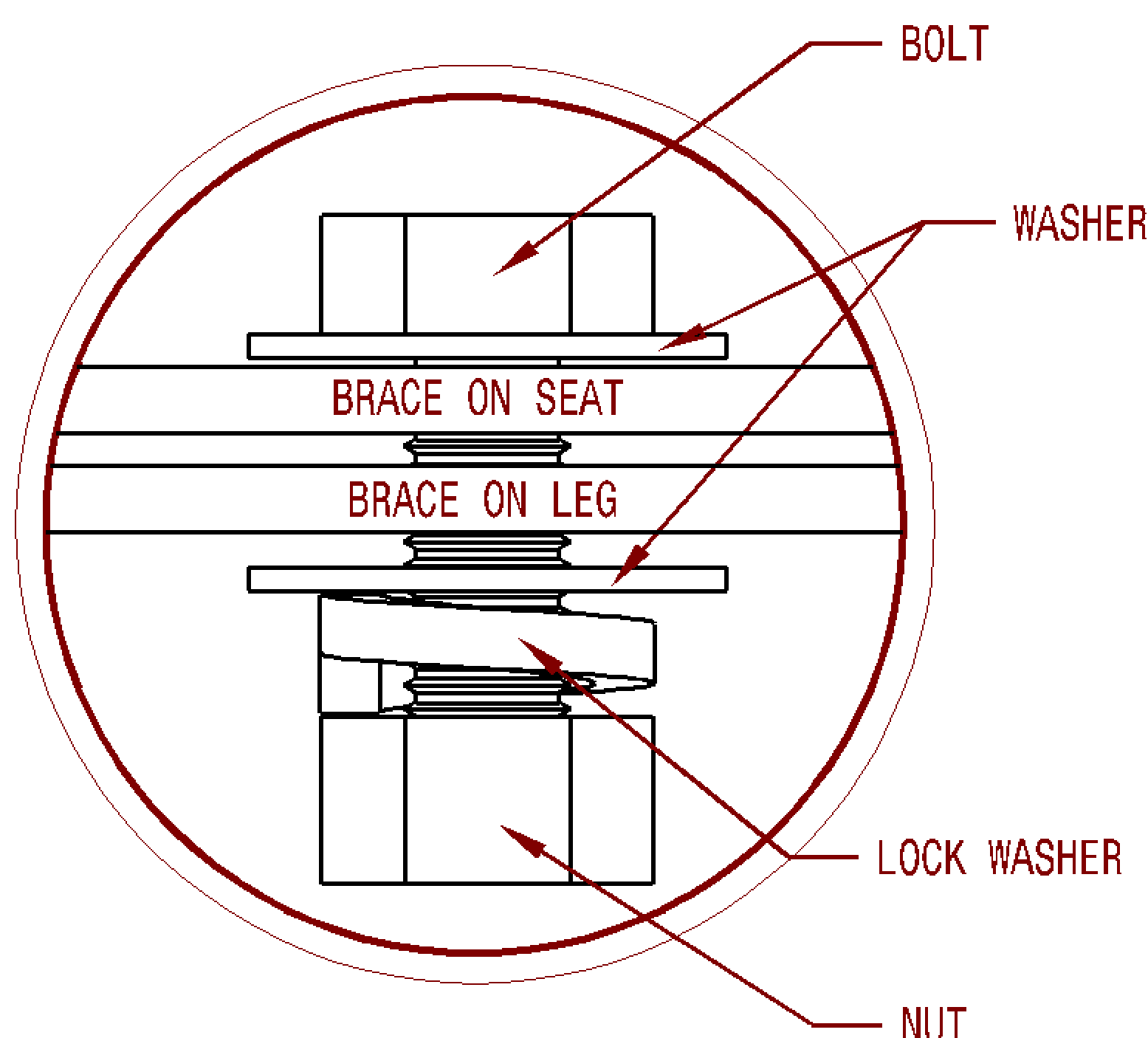
STEP #6

Have two people lift each seat one at a time. Have another person assist with aligning the holes on the seat braces with those of the channel. Fasten the seat. Repeat for all seats.



HAND TIGHTEN

For step #3 use Bolt Assembly as shown:

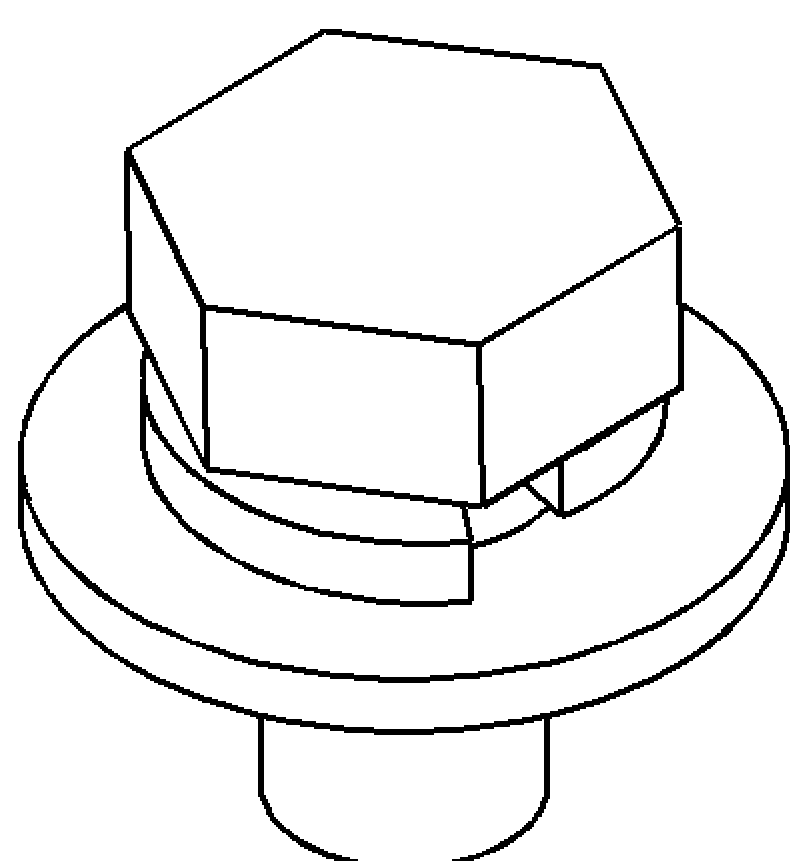


Carefully inspect the assembly from front and back to ensure the seats of the assmebly are sitting straight.

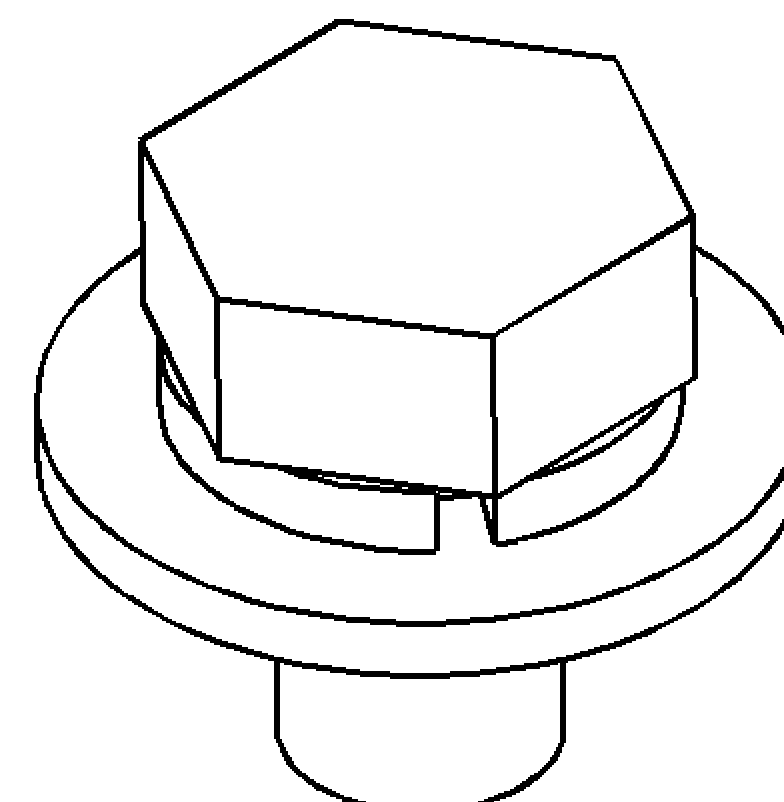
Once everything is straight and aligned properly, tighten the Bolts connecting the legs to the channel and the channel to the seats. While tightening have someone make sure that the assembly remains straight and aligned.



TOOL TIGHTEN



Lock washer when **HAND** tightened



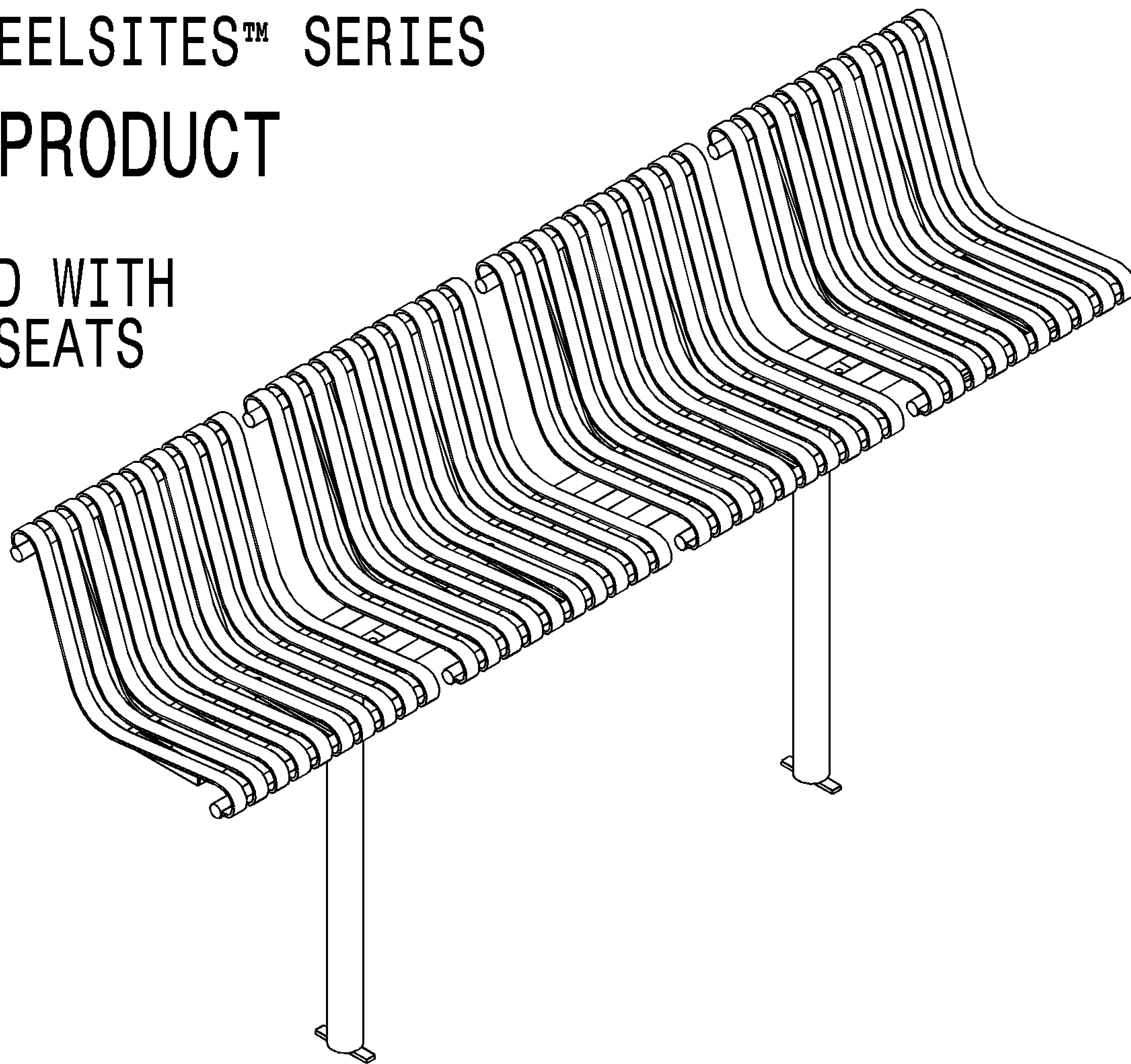
Lock washer when **TOOL** tightened
DO NOT OVER TIGHTEN



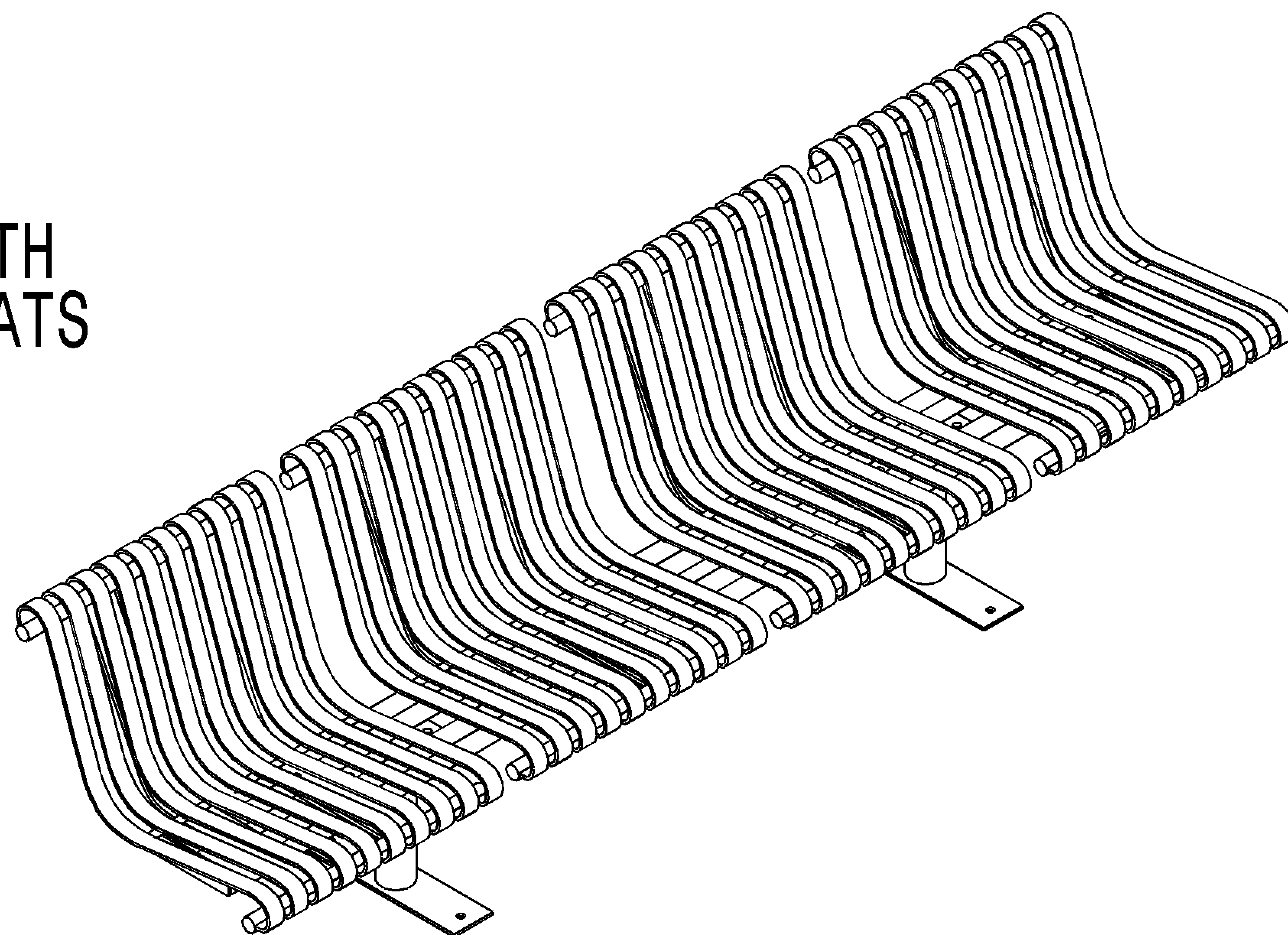
NRMT STEELSITES™ SERIES

FINAL PRODUCT

**NRMT -4
IN-GROUND WITH
NRMS-24 SEATS**



**NRMT -4
SURFACE WITH
NRMS-24 SEATS**

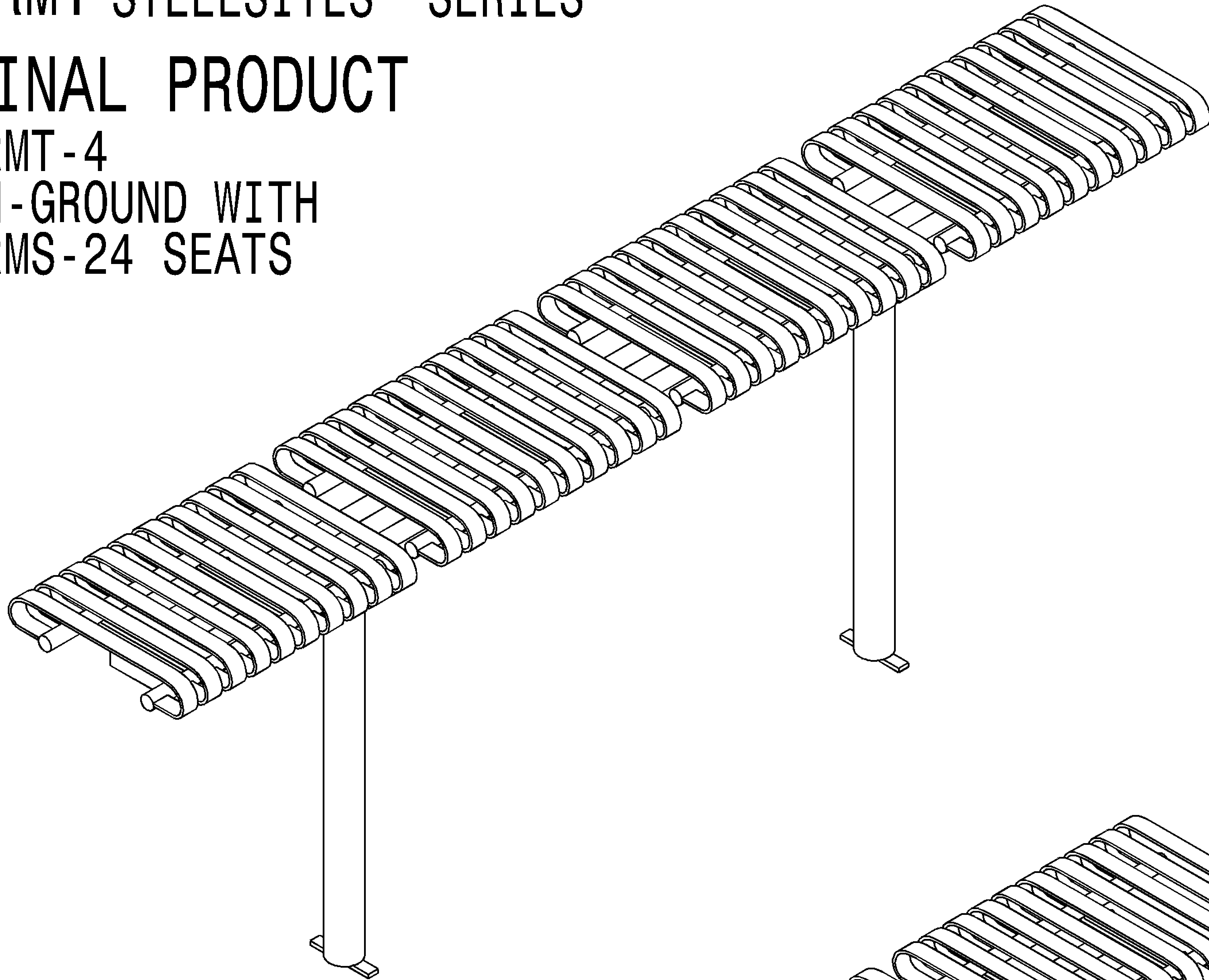




NRMT STEELSITES™ SERIES

FINAL PRODUCT

**NRMT -4
IN-GROUND WITH
FRMS-24 SEATS**



**NRMT -4
SURFACE WITH
FRMS-24 SEATS**

