



FMS-324 FRAMERS MODERN™ SERIES

U.S. Patent D523,263; D526,805 S; EC Patent 503297; Other Patents Pending.

ASSEMBLY INSTRUCTIONS

ref# 2006-118, revised 9-11-06

READ ALL INSTRUCTIONS THOROUGHLY BEFORE YOU BEGIN.

CHECK ALL PARTS

- Be certain there are no missing parts.
- Be certain all required tools are available.

REQUIRED TOOLS

- 7/32-inch Hex Drive
- 2 stands/sawhorses
- 2 towels (or something soft) for the seat to rest on to protect the finish

ASSISTANCE REQUIRED

- 3 people recommended to assemble product
 - Necessary to handle, fit and secure components
 - Heavy lifting

All specifications are subject to change. Contact manufacturer for details.

DELIVERY, STORAGE, and HANDLING

- Delivery:** Deliver products to site in manufacturer's original, unopened containers and packaging. Upon delivery, examine packages immediately to ensure all products are complete and undamaged.
- Storage:** Store products in a protected, dry area in manufacturer's unopened containers and packaging.
- Handling:** Protect product's finish from damage during handling and installation.

INSTALLATION

- Clearance:** for 3/8-inch (9.53mm) anchor bolts (anchor bolts not provided by Victor Stanley, Inc.)
- Mounting:** It is not recommended to locate anchor bolts until bench is in place. This Victor Stanley, Inc. product must be permanently affixed to the ground. Consult your local codes for regulations.

PROTECTION

- Protection:** prior to installation by having them remain in the manufacturer's packaging and container.



Should you have any problems, please contact Victor Stanley, Inc.

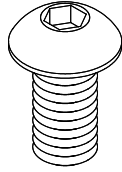
WWW.VICTORSTANLEY.COM



PARTS LIST

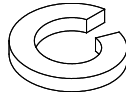
HARDWARE

A
x8



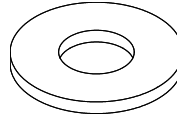
3/8-inch x 3/4-inch SS
BUTTON HEAD CAP SCREW

B
x8

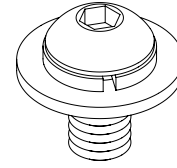


3/8-inch LOCK WASHER

C
x8



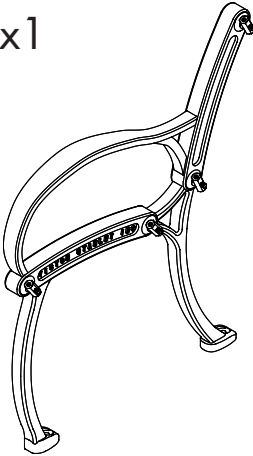
3/8-inch SS FLAT WASHER



EXAMPLE
CONFIGURED FOR USE

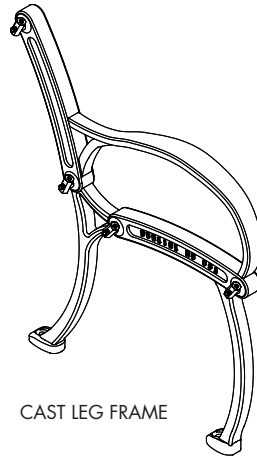
COMPONENTS

LS
x1



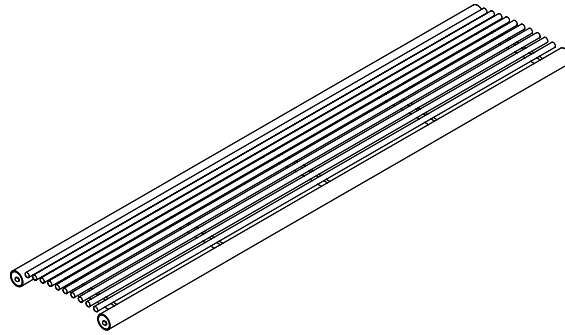
CAST LEG FRAME

RS
x1



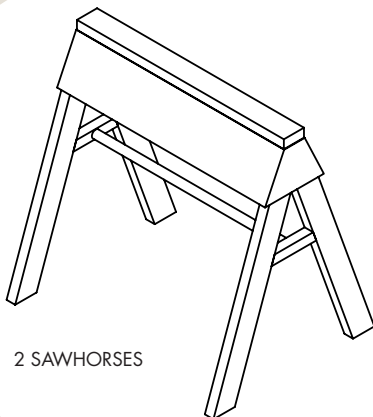
CAST LEG FRAME

S
x2

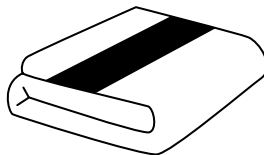


BENCH SECTION

TOOLS REQUIRED



2 SAWHORSES



2 TOWELS
(or something soft to protect finish)



7/32-inch HEX DRIVE
*This symbolizes when to
use **TOOL** to tighten.

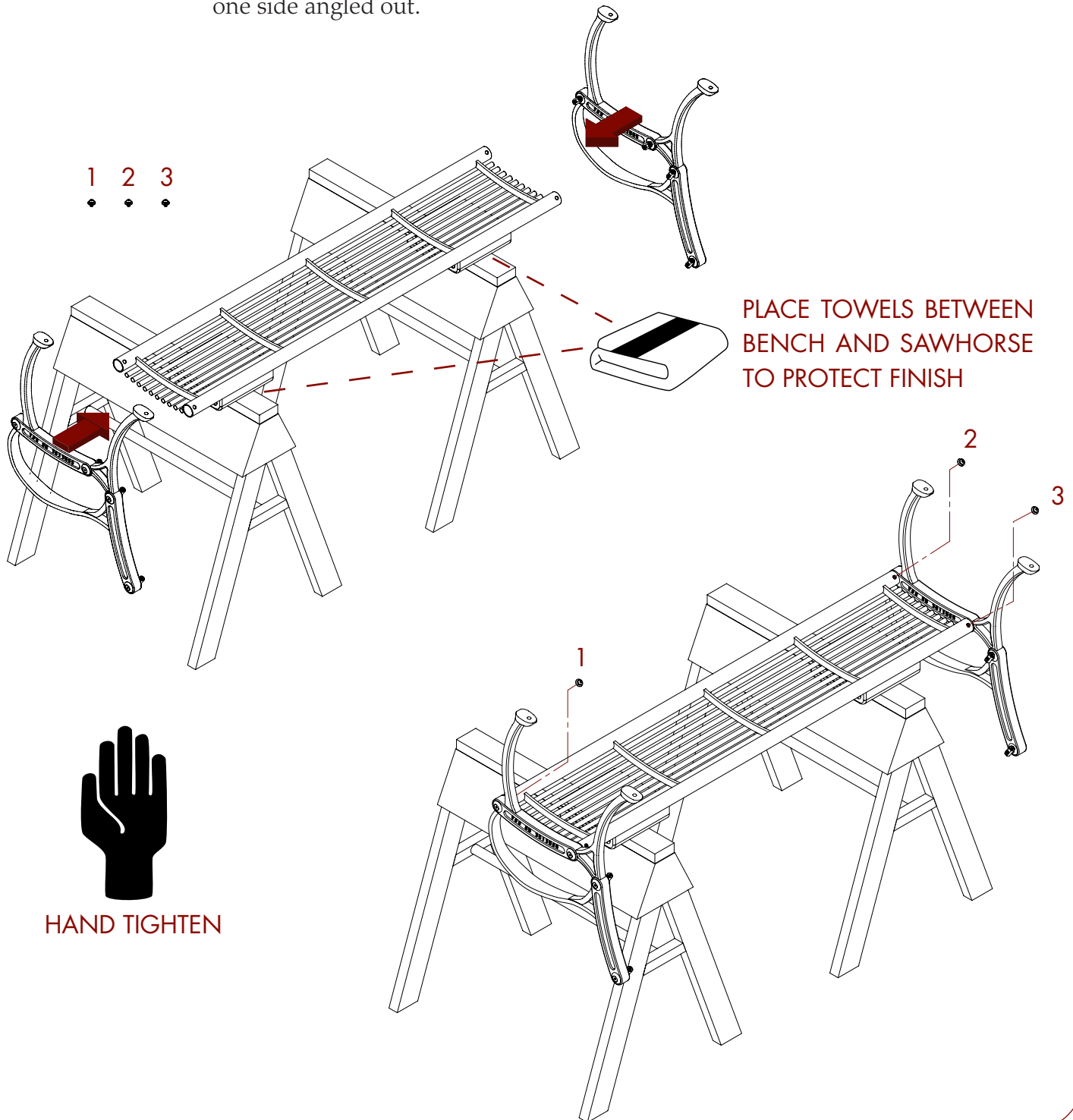


HANDS
*This symbolizes when to
use **HAND** to tighten.



STEP #1 Set one bench section face down on sawhorse using towels to protect finish.

#2 Attach leg frames using 3 bolts tightened by hand. Leave leg frame on one side angled out.

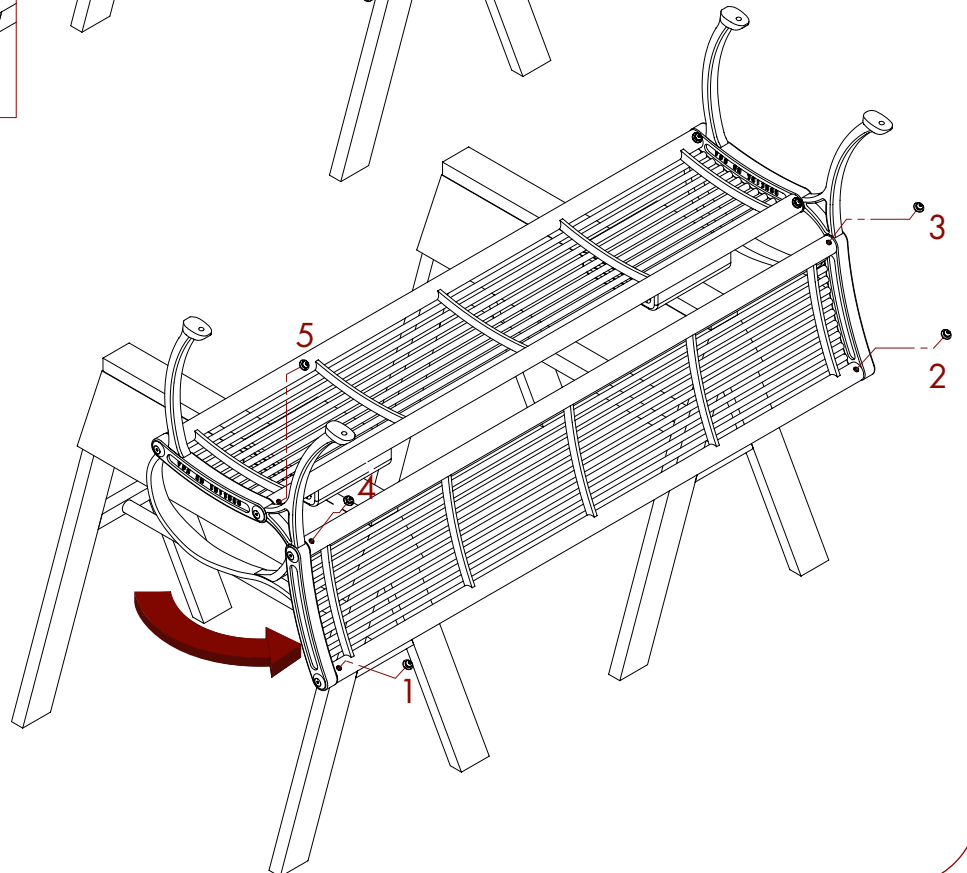
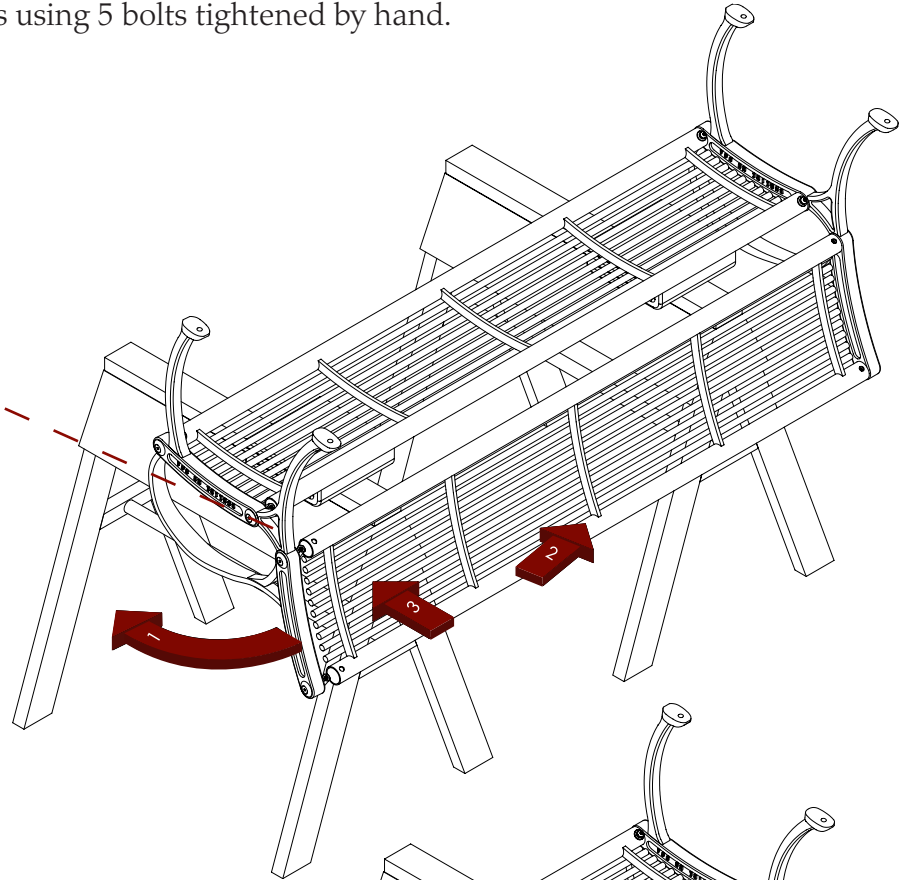
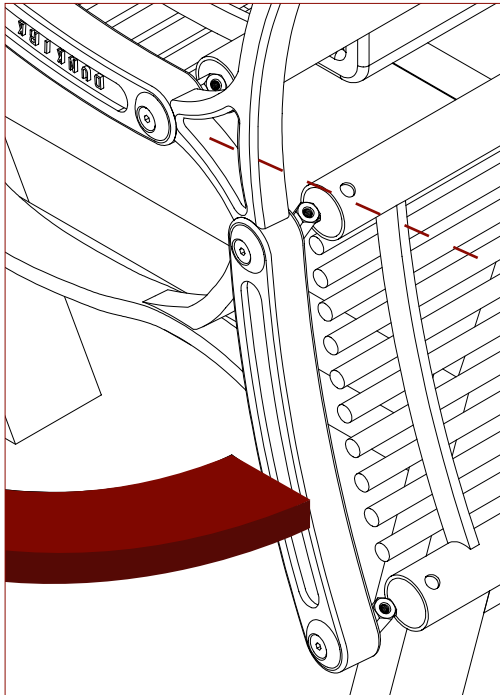


HAND TIGHTEN



STEP #3 Attach second bench section.

#4 Attach leg frames using 5 bolts tightened by hand.



HAND TIGHTEN

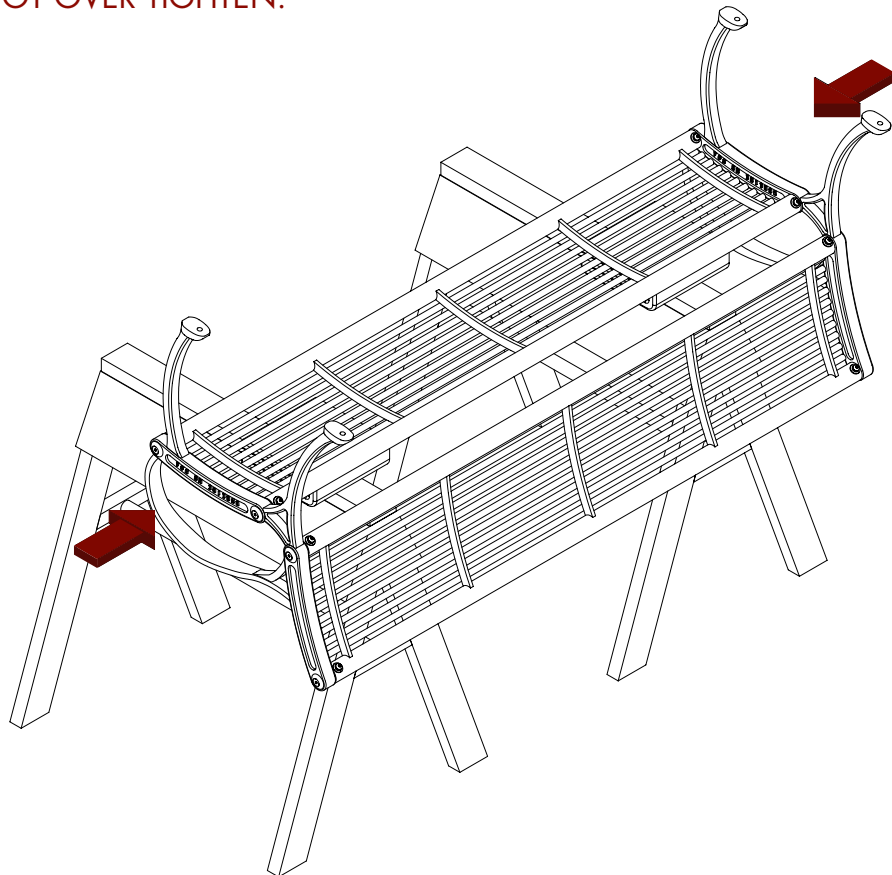


STEP #5 Push leg frames in towards bench section.

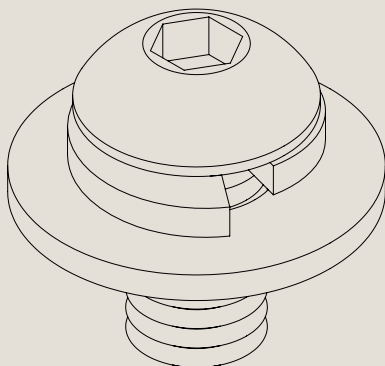
#6 Tighten all bolts now with tool.
Tighten only until lock washer is flat as shown below on right.
DO NOT OVER TIGHTEN.



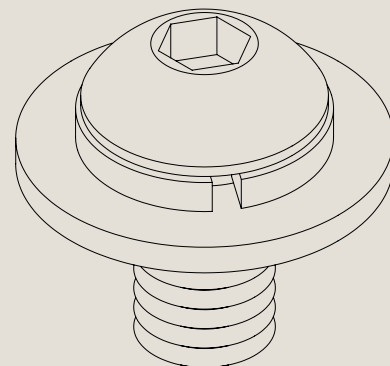
TOOL TIGHTEN



Lock washer when **HAND** tightened.



Lock washer when **TOOL** tightened.
DO NOT OVER TIGHTEN.



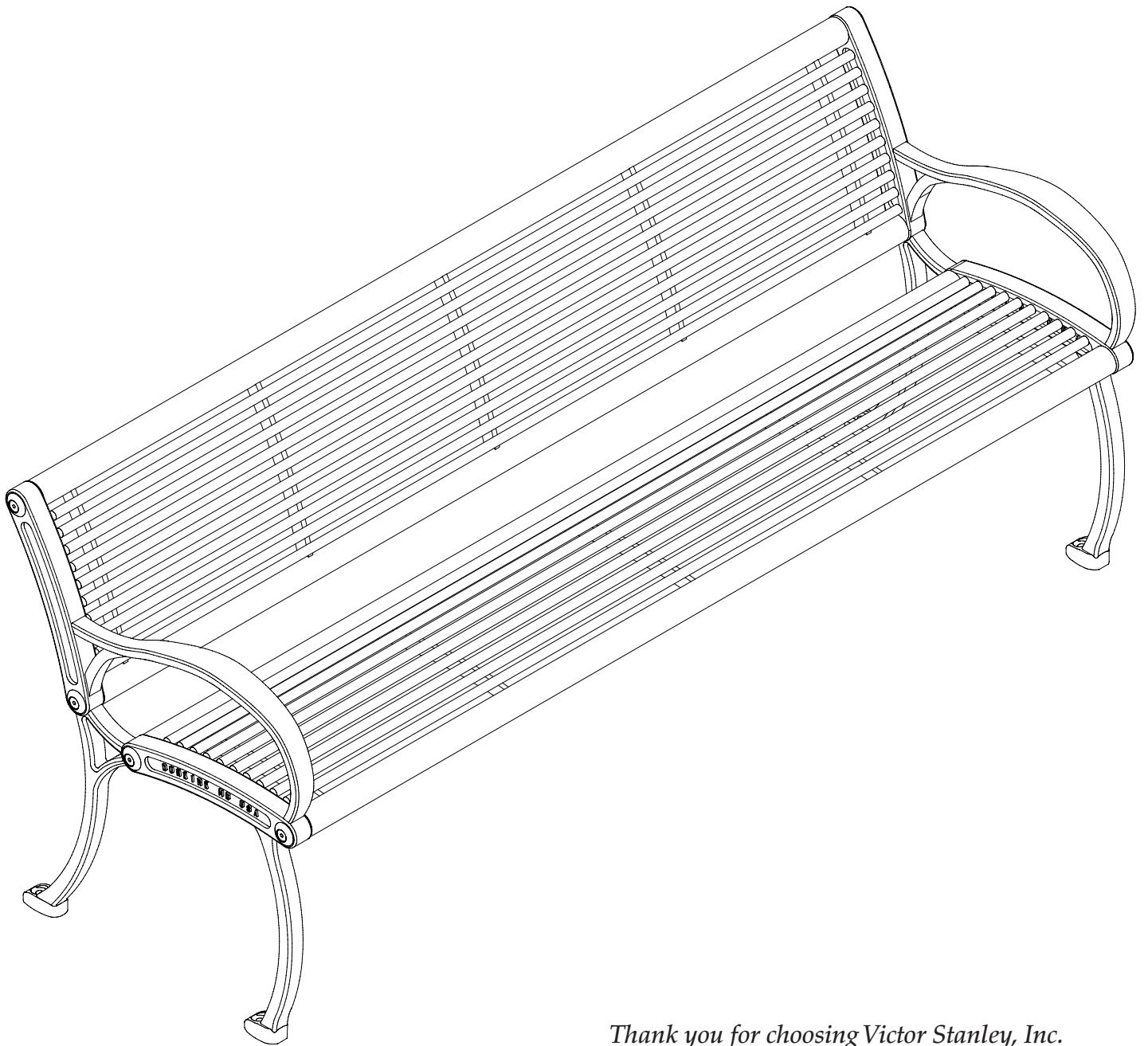


VICTOR STANLEY, INC.
-Manufacturers of Quality Site Furnishings since 1962-

FMS-324 FRAMERS MODERN™ SERIES
ASSEMBLY INSTRUCTIONS

PAGE 6 OF 6

FMS-324 FRAMERS MODERN™ SERIES **FINAL PRODUCT**



Thank you for choosing Victor Stanley, Inc.

Should you have any problems, please contact Victor Stanley, Inc. **WWW.VICTORSTANLEY.COM**

© Copyright 2006 Victor Stanley, Inc. All Rights Reserved