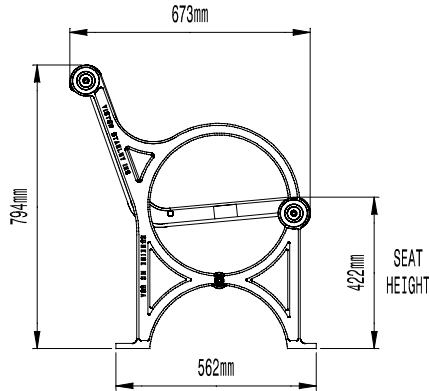




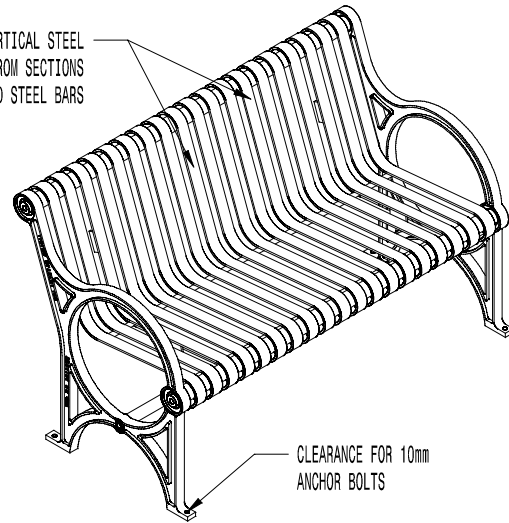
**VICTOR STANLEY, INC.**  
*-Manufacturers of Quality Site Furnishings since 1962-*

P.O. DRAWER 330 - DUNKIRK, MD 20754 USA  
 TOLL FREE: (800) 368-2573 (USA & CANADA)  
 TEL (301) 855-8300 - FAX (410) 257-7579  
 WEB SITE: HTTP://WWW.VICTORSTANLEY.COM

\* ALL DIMENSIONS ARE IN MILLIMETERS \*

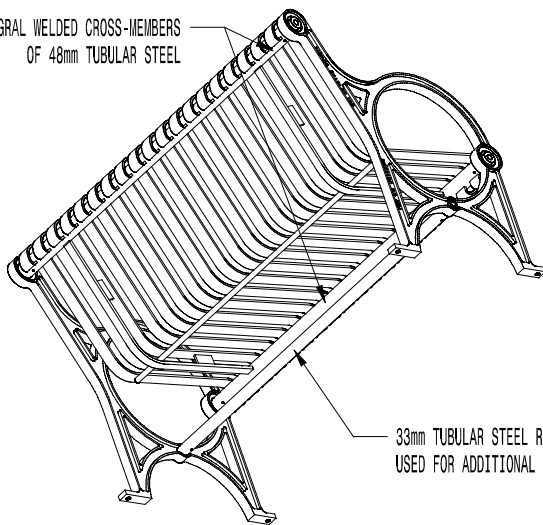


SCROLLED VERTICAL STEEL  
 SLATS ARE FORMED FROM SECTIONS  
 OF 6mm x 38mm SOLID STEEL BARS

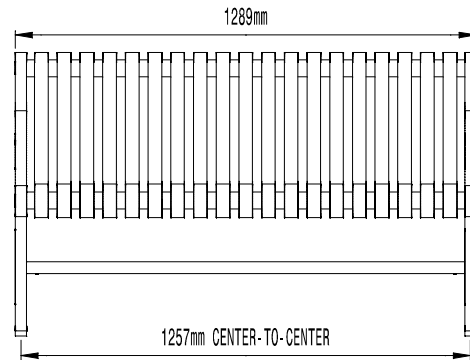


CLEARANCE FOR 10mm  
 ANCHOR BOLTS

INTEGRAL WELDED CROSS-MEMBERS  
 OF 48mm TUBULAR STEEL



33mm TUBULAR STEEL RUNG  
 USED FOR ADDITIONAL SUPPORT



CENTER-TO-CENTER DISTANCES ARE APPROXIMATE  
 (VARIATIONS IN CASTINGS ARISE FROM DIFFERENT RATES OF COOLING)

AVAILABLE OPTIONS:

POWDER COATING

10 STANDARD COLORS, 2 OPTIONAL METALLIC COLORS,  
 CUSTOM COLORS (INCLUDING THE RAL RANGE)

CUSTOM PLAQUES

ENGRAVED CAST BRONZE PLAQUES

INTERMEDIATE & CENTER ARMRESTS

1.2 METERS, 1.8 METERS, & 2.4 METERS AVAILABLE WITH OPTIONAL ARMRESTS  
 LENGTHS

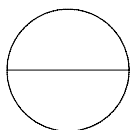
STANDARD 1.2 METERS LENGTH SHOWN

STANDARD 1.8 METERS

STANDARD 2.4 METERS

NOTES:

1. DUCTILE IRON CASTINGS COME WITH A TEN YEAR WARRANTY AGAINST BREAKAGE.
2. DRAWINGS NOT TO SCALE. DO NOT SCALE DRAWINGS.
3. ALL FABRICATED METAL COMPONENTS ARE STEEL SHOTBLASTED, ETCHED, PHOSPHATIZED, PREHEATED, AND ELECTROSTATICALLY POWDER-COATED WITH T.G.I.C. POLYESTER POWDER COATINGS. PRODUCTS ARE FULLY CLEANED AND PRETREATED, PREHEATED AND COATED WHILE HOT TO FILL CREVICES AND BUILD COATING FILM. COATED PARTS ARE THEN FULLY CURED TO COATING MANUFACTURER'S SPECIFICATIONS. THE THICKNESS OF THE RESULTING FINISH AVERAGES 8-10 MILS (200-250 MICRONS).
4. IT IS NOT RECOMMENDED TO LOCATE ANCHOR BOLTS UNTIL BENCH IS IN PLACE. THIS VICTOR STANLEY, INC. PRODUCT MUST BE PERMANENTLY AFFIXED TO THE GROUND. CONSULT YOUR LOCAL CODES FOR REGULATIONS.
5. ANCHOR BOLTS NOT PROVIDED BY VICTOR STANLEY, INC.
6. FOR HIGH SALT ABUSIVE CLIMATES, HOT DIP GALVANIZING BEFORE POWDER COATING IS AVAILABLE. SEE WRITTEN SPECIFICATIONS FOR DETAILS.
7. ALL SPECIFICATIONS ARE SUBJECT TO CHANGE. CONTACT MANUFACTURER FOR DETAILS.
8. THIS PRODUCT IS SHIPPED FULLY ASSEMBLED.



**CR-12**

CITY SITES SERIES

BENCH WITH DUCTILE IRON END FRAMES  
 SHOWN: STANDARD 1.2 METERS LENGTH