



RPCT-24/30/36/42 SPCT-24/30/36/42 STEELSITES™ SERIES ASSEMBLY INSTRUCTIONS

Ref# 2009-202, revised 6-15-09 by J.D.R.

READ ALL INSTRUCTIONS THOROUGHLY
BEFORE YOU BEGIN.

CHECK ALL PARTS

- Be certain there are no missing parts.
- Be certain all required tools are available.

REQUIRED TOOLS

- Ratchet.
- Socket 3/4-inch
- Standard 3/4-inch wrench

ASSISTANCE REQUIRED

- 2 people recommended to assemble product.
- Necessary to handle, fit, and secure components.
- Heavy lifting.

All specifications are subject to change. Contact manufacturer for details.
Directions do not include center armrest attachment

DELIVERY, STORAGE, and HANDLING

- Delivery: Deliver products to site in manufacturer's original, unopened containers and packaging. Upon delivery, examine packages immediately to ensure all products are complete and undamaged.
- Storage: Store products in a protected, dry area in manufacturer's unopened containers and packaging
- Handling: Protect product's finish from damage during handling and installation.

INSTALLATION

- Clearance for 1/2-inch (9.53mm) anchor bolts (anchor bolts not provided by Victor Stanley, Inc.)
- Mounting: It is not recommended to locate anchor bolts until bench is in place. This Victor Stanley, Inc. product must be permanently affixed to the ground. Consult your local codes for regulations.

PROTECTION

- Protect products prior to installation by having the remain in The manufacturer's packaging and container.



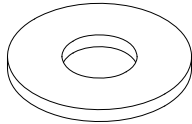
Should you have any problems, please contact Victor Stanley, Inc.

www.victorstanley.com

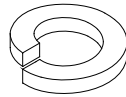


PARTS LIST

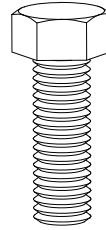
Ax4
FLAT WASHER



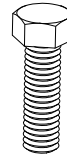
Bx4
LOCK WASHER



Cx4
BOLT



Dx3
TENSION BOLT

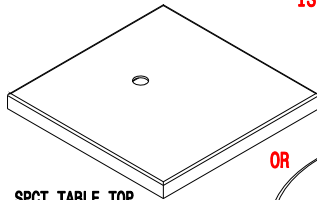


ONLY WITH UMBRELLA HOLE OPTION

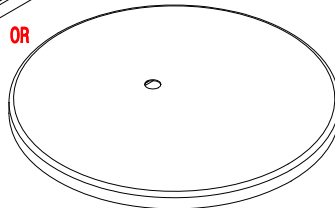
Ex1

TABLE TOP

THIS ASSEMBLY INSTRUCTION CAN BE USED FOR BOTH SQUARE AND ROUND TOP TABLES. ONLY ONE TOP, IN THE STYLE PURCHASED IS INCLUDED PER ORDER.



SPCT TABLE TOP (SQUARE)

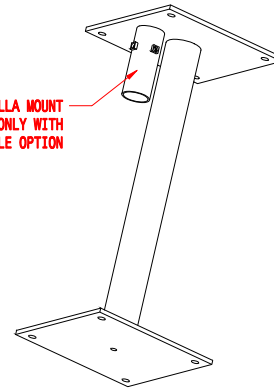


RPCT TABLE TOP (ROUND)

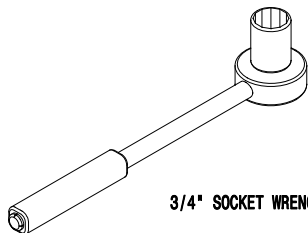
Fx1

CENTER POST

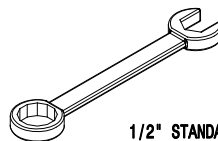
UMBRELLA MOUNT ATTACHED ONLY WITH UMBRELLA HOLE OPTION



TOOLS REQUIRED (NOT PROVIDED)



3/4" SOCKET WRENCH



1/2" STANDARD WRENCH
 ONLY NEED FOR UMBRELLA OPTION



HAND

*This symbolizes when to use HAND to tighten.



VICTOR STANLEY, INC.®

-Manufacturers of Quality Site Furnishings since 1962-

RPCT-24/30/36/42
SPCT-24/30/36/42 STEELSITES™ SERIES
ASSEMBLY INSTRUCTIONS

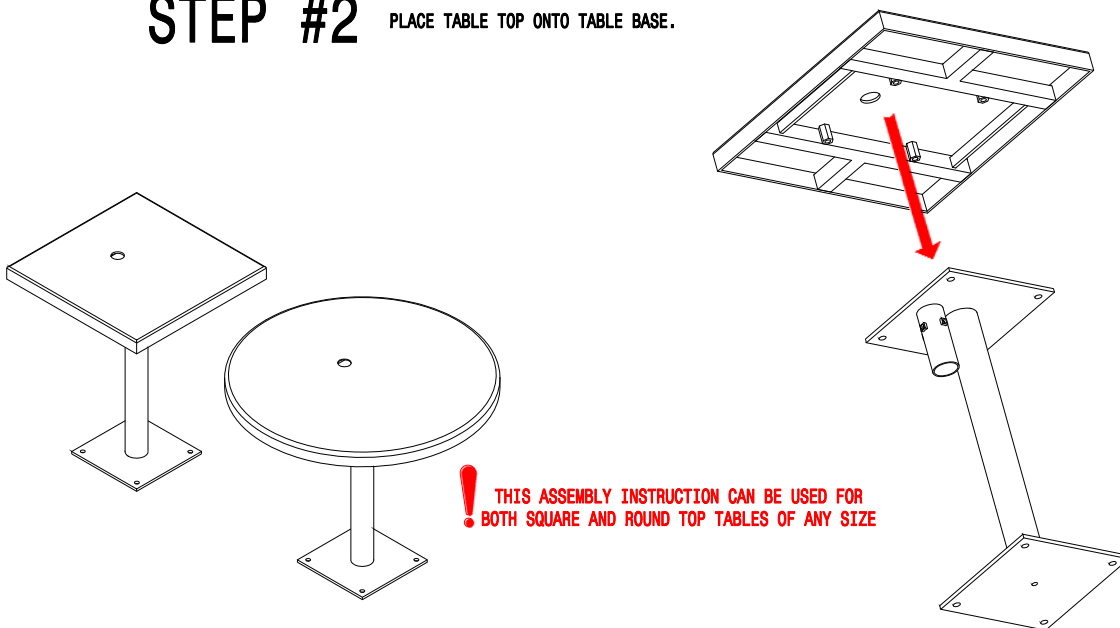
PAGE 3 of 5

STEP #1

REMOVE ALL PARTS FROM THEIR BOXES AND BAGS, AND PLACE ON TOWELS OR A SOFT SURFACE TO PREVENT SCRATCHING THE FINISH (TOWELS, CARDBOARD, GRASS, ECT.)

STEP #2

PLACE TABLE TOP ONTO TABLE BASE.

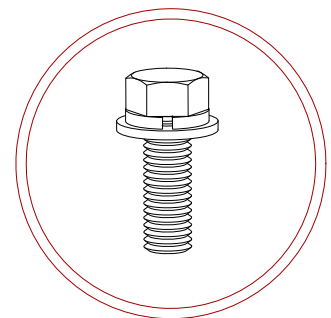
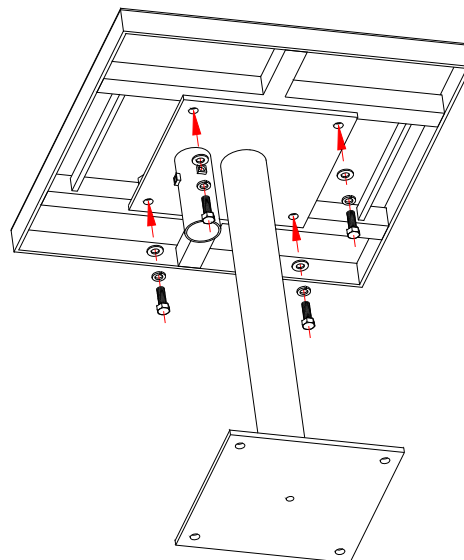


STEP #3

INSERT BOLT AND FASTENER COMBINATION FROM BOTTOM (AS SHOWN) AND HAND TIGHTEN.



**HAND
TIGHTEN**

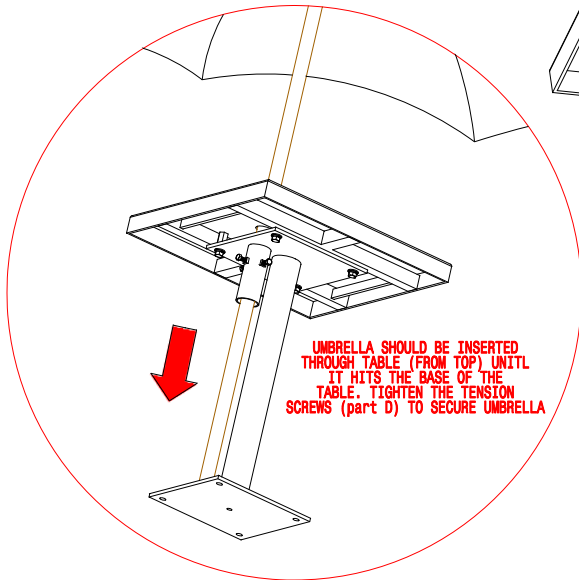


For step# 2 & 3
use bolt and fastener
combination C/B/A
(as shown)

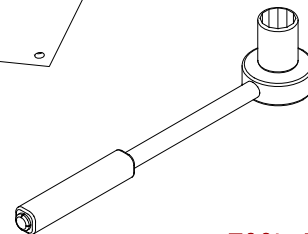
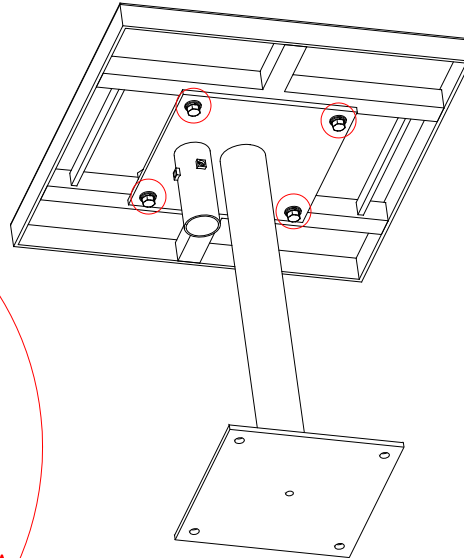


STEP #4

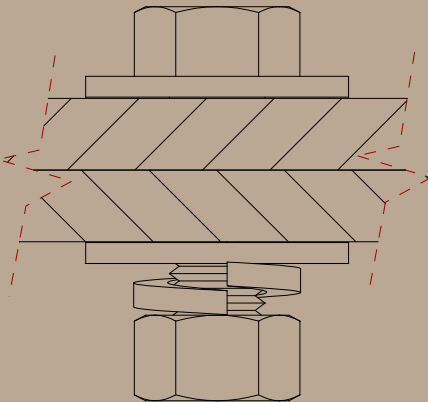
ONCE ALL BOLTS ARE IN PLACE TOOL TIGHTEN ALL BOLTS



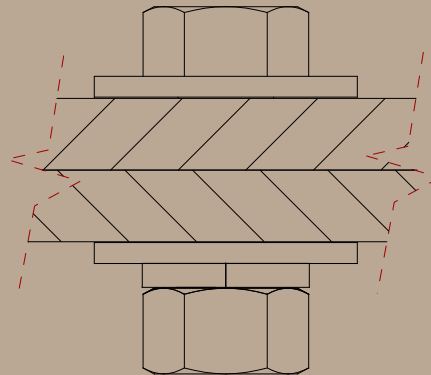
UMBRELLA SHOULD BE INSERTED THROUGH TABLE (FROM TOP) UNTIL IT HITS THE BASE OF THE TABLE. TIGHTEN THE TENSION SCREWS (part D) TO SECURE UMBRELLA



TOOL TIGHTEN
 use 3/4" socket wrench



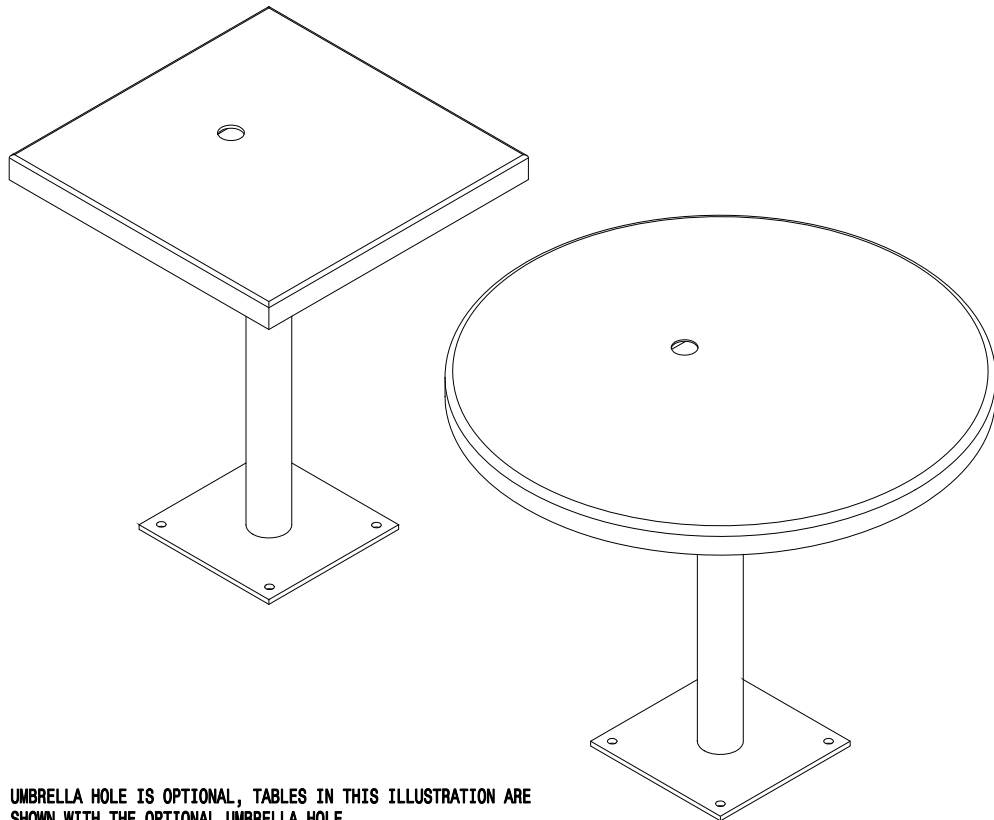
Bolt & fastener before tool tightening



Bolt & fastener after tool tightening



RPCT-24/30/36/42
SPCT-24/30/36/42 STEELSITES™ SERIES
FINAL PRODUCT



UMBRELLA HOLE IS OPTIONAL, TABLES IN THIS ILLUSTRATION ARE SHOWN WITH THE OPTIONAL UMBRELLA HOLE.

RPCT TABLES AVAILABLE IN:	SPCT TABLES AVAILABLE IN:
24" ROUND	24" SQUARE
30" ROUND	30" SQUARE
36" ROUND	36" SQUARE
42" ROUND	42" SQUARE

Thank you for choosing Victor Stanley, Inc.