



ST-6 HOMESTEAD SERIES ASSEMBLY INSTRUCTIONS

Ref# 2008-71, revised 2-4-08 by MCW

READ ALL INSTRUCTIONS THOROUGHLY
BEFORE YOU BEGIN.

CHECK ALL PARTS

- Be certain there are no missing parts.
- Be certain all required tools are available.

REQUIRED TOOLS

- Ratchet or Breaker Bar.
- Socket 1/2-inch AND Wrench 1/2-inch
- Towels (or something soft) to rest components on during assembly to protect the finish

ASSISTANCE REQUIRED

- 3+ people recommended to assemble product.
- Necessary to handle, fit, and secure components.
- Heavy lifting.

All specifications are subject to change. Contact manufacturer for details.
Directions do not include center armrest attachment.

DELIVERY, STORAGE, and HANDLING

- Delivery: Deliver products to site in manufacturer's original, unopened containers and packaging. Upon delivery, examine packages immediately to ensure all products are complete and undamaged.
- Storage: Store products in a protected, dry area in manufacturer's unopened containers and packaging
- Handling: Protect product's finish from damage during handling and installation.

INSTALLATION

- Surface mount has clearance for 1/2-inch (12.7mm) anchor bolts (anchor bolts not provided by Victor Stanley, Inc.)
- Mounting: It is not recommended to locate footings or anchor bolts until table and benches are in place. This Victor Stanley, Inc. product must be permanently affixed in/to the ground. Consult your local codes for regulations.

PROTECTION

- Protect products prior to installation by having them remain in The manufacturer's packaging and container(s).



Should you have any problems, please contact Victor Stanley, Inc.

www.victorstanley.com



PARTS LIST

<p>Ax4 BENCH LEGS</p> <p>SURFACE IN-GROUND</p>	<p>Bx2 TABLE LEGS</p> <p>SURFACE IN-GROUND</p>	<p>Cx2 BENCH BRACE</p>	<p>Dx1 TABLE BRACE</p>
<p>Ex14 WOOD SLAT</p> <p>Fx42 CARRAGE BOLT</p> <p>Gx42 3/4-inch FLAT WASHER</p> <p>Hx24 1/2-inch NUT</p>		<p>Ex14 2nd SITE SYSTEM® SLAT</p> <p><small>2nd SITE SYSTEMS® SLATS ARE COVERED BY THE FOLLOWING U.S. PATENTS: 5,660,907; 5,791,047 CANADIAN PATENTS: 1,487,672; 2,184,348 AND EUROPE, GERMANY, FRANCE, UK, AND NETHERLANDS PATENT: 750543</small></p> <p>Fx42 Flat Head HEX DRIVE LAG SCREW</p> <p>Gx42 3/4-inch FLAT WASHER</p> <p>Hx1 5/32-inch HEX DRIVE BIT</p>	

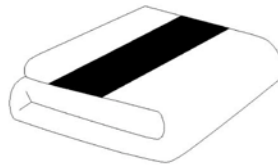
TOOLS REQUIRED (NOT PROVIDED)

<p>1/2-inch SOCKET for use with RATCHET or BREAKER BAR AND 1/2-inch WRENCH *This symbolizes when to use TOOL to tighten.</p>	<p>TOWELS (or something soft to protect finish)</p>	<p>HANDS *This symbolizes when to use HAND to tighten.</p>
--	---	--



STEP #1 Remove all parts from their boxes and bags, and place on towels or a soft surface to prevent scratching (towels, cardboard, grass, ect.)

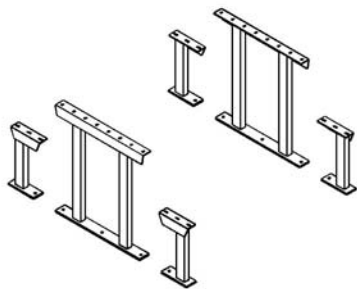
STEP #2 Preparing the installation area



SOFT SURFACES

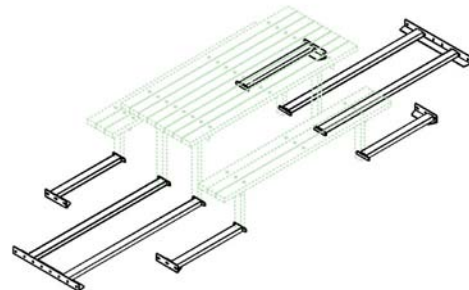
SURFACE MOUNT

For surface mount, set the legs up right in the general area that you would like your ST-6 (It may be necessary to lay the legs flat if they do not stand easily).



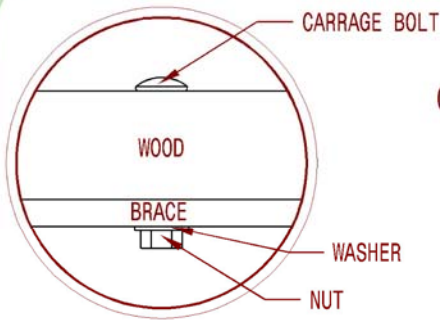
IN-GROUND MOUNT

For in-ground mount place the leg on a soft surface with the mounting plates resting flat. Have the anchor tab resting in the general location of where you want your final bench. It is Recommended to have 3-1/2 inches between the table and the benches.





COMBINATION A:



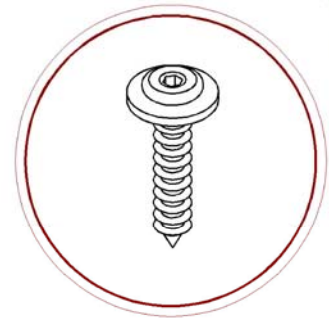
STEP #3

SHOWN IN SURFACE MOUNT
CONFIGURATION. STEP APPLIES
TO IN-GROUND AS WELL



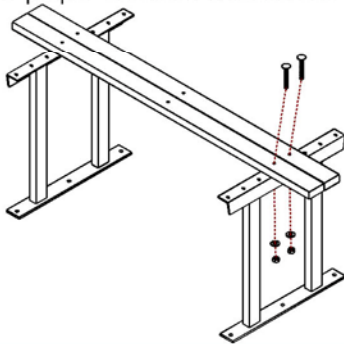
HAND TIGHTEN

COMBINATION B:



WOOD

Have one person hold each leg of the table.
Have a third person fasten on the middle 2 slats with
the proper hardware combination A.



2nd SITE SYSTEMS®

Have one person hold each leg of the table.
Have a third person fasten on the middle 2 slats with
the proper hardware combination B.

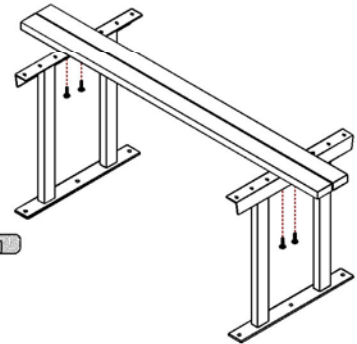


Diagram of 2nd Site Systems® slat
layout. Note steel support positioning:

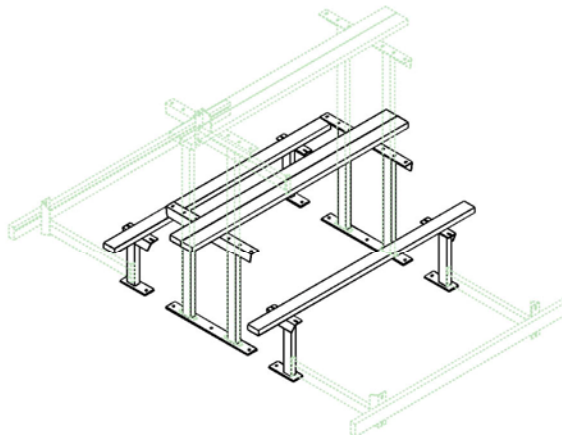


STEP #4

Repeat the previous step for the middle slat of the 2 benches.
(For In-ground mount, lay the benches on their sides on a soft surface
It may be necessary to have a person remain holding the table upright)

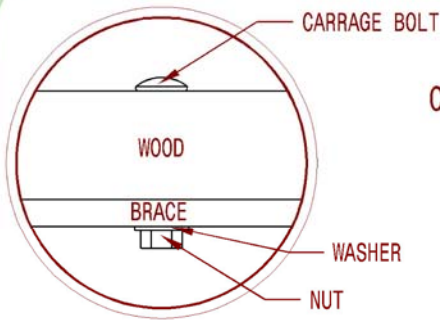


HAND TIGHTEN





COMBINATION A:



STEP #5

SHOWN IN SURFACE MOUNT
 CONFIGURATION. STEPS APPLIES
 TO IN-GROUND AS WELL



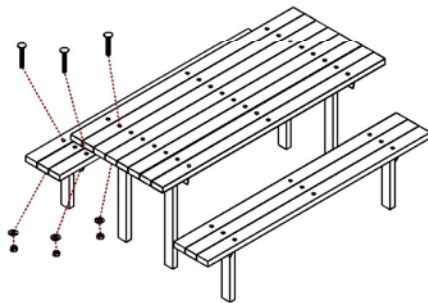
HAND TIGHTEN

COMBINATION B:



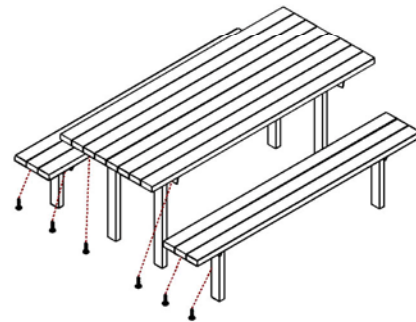
WOOD

Install the remainder of the slats using hardware combination A. (For In-ground, keep benches laying on the soft surface while fastening the slats)



2nd SITE SYSTEMS®

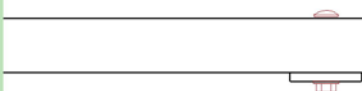
Install the remainder of the slats using hardware combination B. (For In-ground, keep benches laying on the soft surface while fastening the slats)



STEP #6

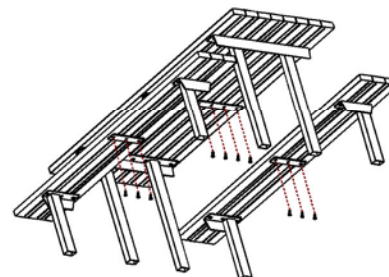
WOOD

Install the Center braces of the table and the benches using hardware combination A. (For In-ground, keep benches laying on the soft surface while fastening the slats)



2nd SITE SYSTEMS®

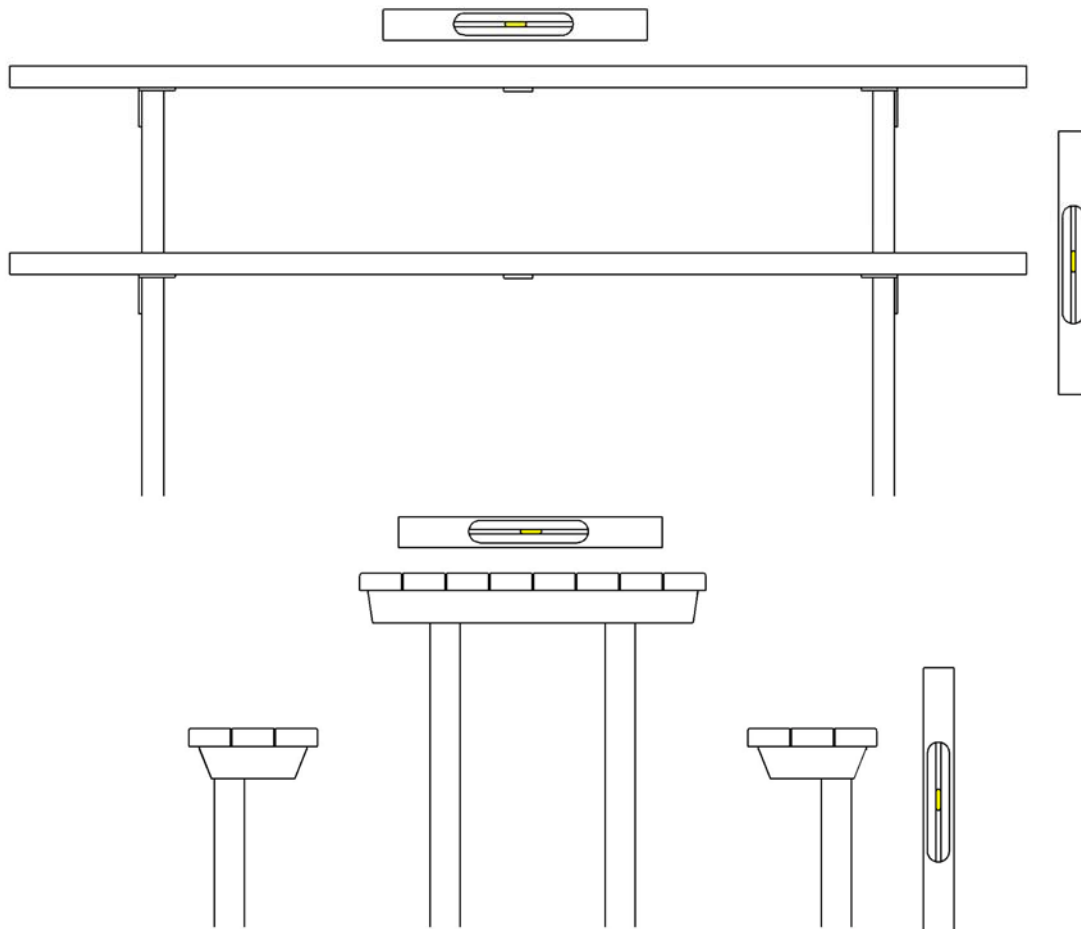
Install the Center braces of the table and the benches using hardware combination B. (For In-ground, keep benches laying on the soft surface while fastening the slats)





STEP #7 Carefully inspect the assembly from front and back to ensure the Table and Benches of the assembly are sitting straight.

Once everything is straight and aligned properly, tighten all Hardware. While tightening have someone make sure that the assembly remains straight and aligned.



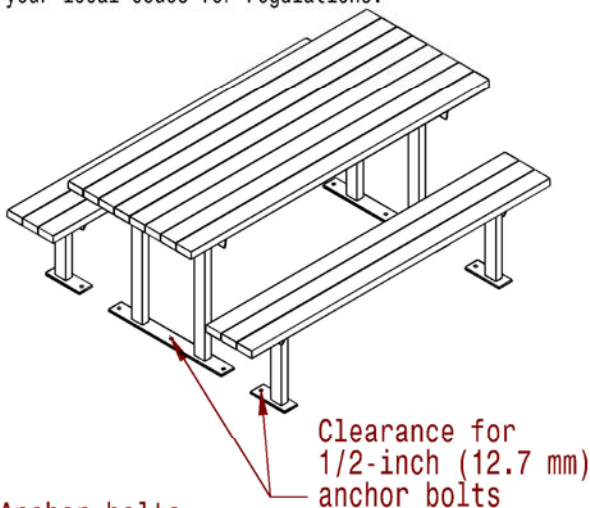


STEP #8 Check and review location and positioning. Make any adjustments to placement/location NOW. It is Recommended to have 3-1/2 inches between the table and the benches.

CENTER-TO-CENTER DISTANCES CAN VARY DUE TO WELDING AND SLAT PRE-DRILLED HOLE POSITION. IT IS RECOMMENDED TO ALWAYS LIFT AND PLACE PRODUCTS INTO POSITION. NEVER DRAG PRODUCTS AS TO PREVENT DAMAGE. IT IS NOT RECOMMENDED TO LOCATE FOOTINGS OR ANCHOR BOLTS UNTIL PRODUCT IS IN PLACE.

SURFACE MOUNT

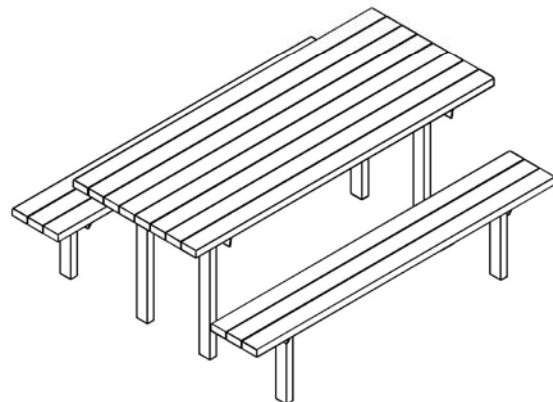
For surface mount, Remove assembly and place anchor bolts in position. At this point, mount your assembly in/to the ground. This Victor Stanley, Inc. product must be permanently affixed in/to the ground. Consult your local codes for regulations.



Anchor bolts not provided by Victor Stanley, Inc.

IN-GROUND MOUNT

For in-ground mount place the leg on a soft surface with the mounting plates resting flat. Have the anchor tab resting in the general location of where you want your final bench.

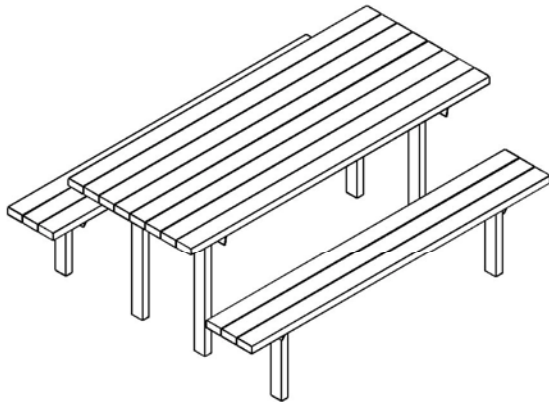


The Recommended Height for the Table is 30" and for the benches is 17"

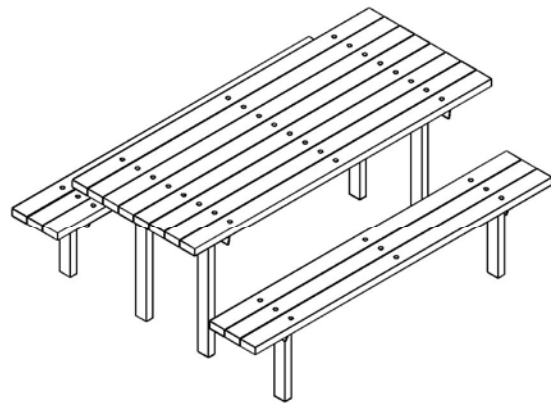


ST-6 HOMESTEAD SERIES FINAL PRODUCT

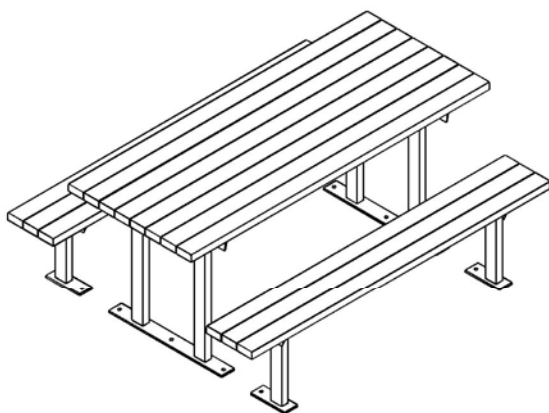
ST-6
IN-GROUND
2nd SITE SYSTEMS



ST-6
IN-GROUND
WOOD



ST-6
SURFACE
2nd SITE SYSTEMS



ST-6
SURFACE
WOOD

